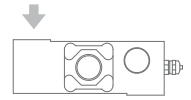




Capacity from 10 kg to 50 kg

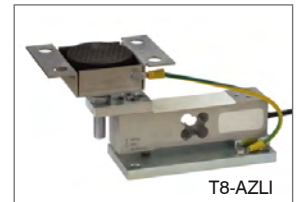


Capacity from 100 kg to 500 kg



- 17-4 PH STAINLESS STEEL
- COMBINED ERROR $\leq \pm 0.02\%$ (0.017% C4)
- PROTECTION CLASS IP68

MOUNTING KITS



CAPACITY	kg	ACCURACY CLASS		OIML	IECEx	Ex	EAC	PLATFORM DIMENSION (mm)	NET WEIGHT OF LOAD CELL (kg)	CODE
		C3	C4							
10		C3	C4	•	•			400 x 400	0.9	AZLI10
20		C3	C4	•	•			400 x 400	0.9	AZLI20
50		C3	C4	•	•			400 x 400	1	AZLI50
100		C3	–	•	•			800 x 800	2.7	AZLI100
200		C3	–	•	•			800 x 800	2.7	AZLI200
300		C3	–	•	•			800 x 800	2.8	AZLI300
500		C3	–	•	•			800 x 800	2.8	AZLI500

ON REQUEST

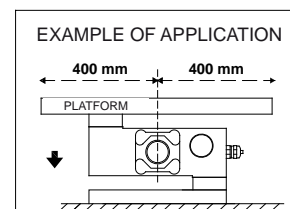
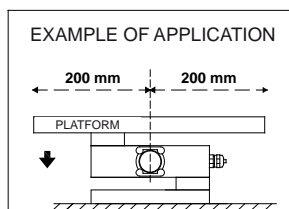
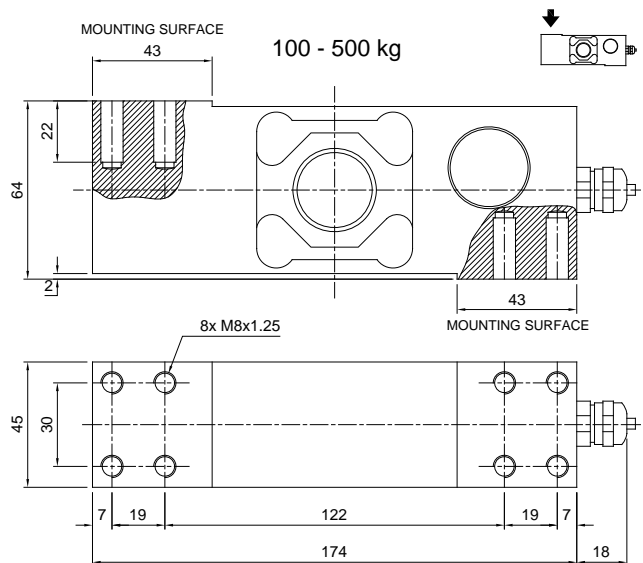
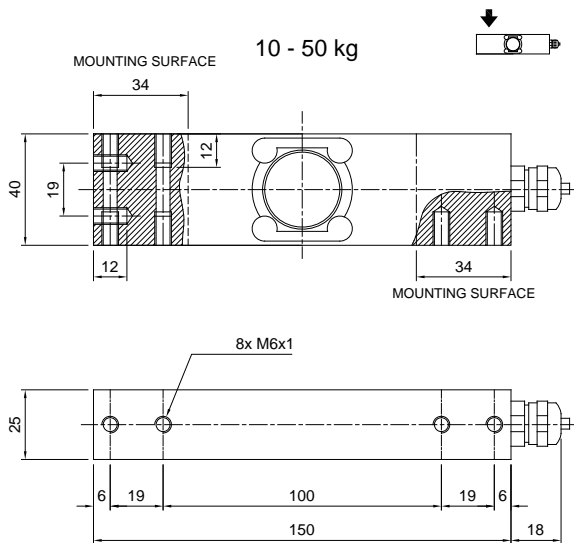
CERTIFICATIONS

OIML R60 C3

CERTIFICATIONS ON REQUEST

	Declaration of conformity + IP69K marking protection rating Water protection when cleaning high pressure / steam jet (Test: pressurized hot water is sprayed from a distance of 150 mm). Water pressure 100 bar; temperature 80 ° C; test duration 250 seconds (Reference standard DIN 40050-9).
	ATEX II 1GD (zone 0-1-2-20-21-22)
	IECEx II 1GD (zone 0-1-2-20-21-22)
	OIML R60 C4 (see capacities table)
	Complies with the Eurasian Custom Union regulations (Russia, Belarus, Kazakhstan)

DIMENSIONS (mm)

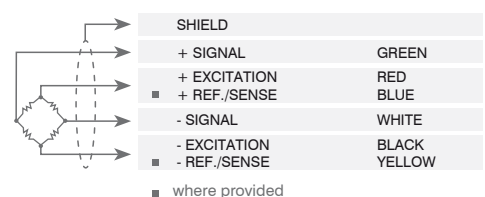


TECHNICAL FEATURES

Material	17-4 PH Stainless steel		
OIML R60 Accuracy class • Verification intervals	C3 • 3000		C4 • 4000
Nominal load (E max)	10 - 20 - 50 - 100 - 200 - 300 - 500 kg		10 - 20 - 50 kg
Minimum verification interval (V min)	E max / 10000		E max / 40000
Combined error	≤ ±0.02%		≤ ±0.017%
Protection class	IP68		
Rated output	2 mV/V ±10%	Input resistance	350 Ω ±3.5
Temperature effect on zero	0.0017% °C	Output resistance	350 Ω ±3.5
Temperature effect on span	0.0014% °C	Zero balance	±2%
Compensated temperature range	-10 °C / +40 °C	Insulation resistance	≥5000 MΩ
Operating temperature range	-35 °C / +65 °C	Safe overload (% of full scale)	150%
Creep at nominal load in 30 minutes	0.02%	Ultimate overload (% of full scale)	300%
Max supply voltage without damage	18 V	Deflection at nominal load	0.5 mm

ELECTRICAL CONNECTIONS

Cable length	3 m
Cable diameter	5 mm
Cores	4/6 x 0.20 mm ²



The Company reserves the right to make changes to the technical data, drawings and images without notice.