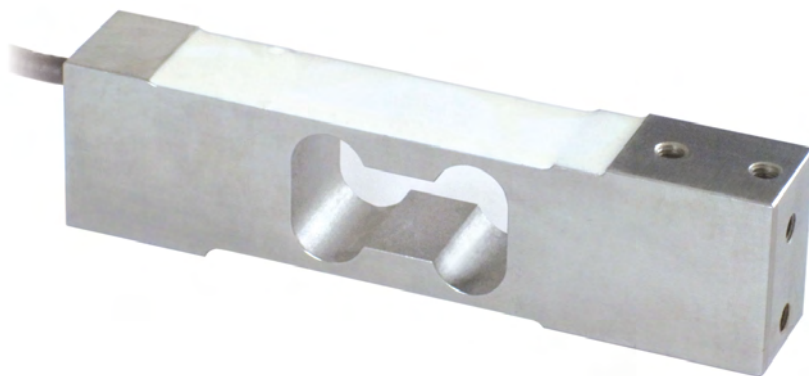




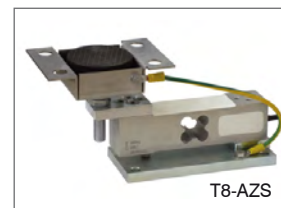
Manufactured according to OIML R60 standards



Capacity from 10 kg to 200 kg



MOUNTING KITS



- AISI 420 STAINLESS STEEL
- COMBINED ERROR  $\leq \pm 0.03\%$
- PROTECTION CLASS IP67

CAPACITY	kg	IECEX	Ex	EAC	PLATFORM DIMENSION (mm)	NET WEIGHT OF LOAD CELL (kg)	CODE
10		•	•	•	400 x 400	1	AZS10
30		•	•	•	400 x 400	1	AZS30
50		•	•	•	400 x 400	1	AZS50
100		•	•	•	400 x 400	1	AZS100
200		•	•	•	400 x 400	1	AZS200

ON REQUEST

### CERTIFICATIONS

#### CERTIFICATIONS ON REQUEST



ATEX II 1GD (zone 0-1-2-20-21-22)



IECEX II 1GD (zone 0-1-2-20-21-22)



Complies with the Eurasian Custom Union regulations (Russia, Belarus, Kazakhstan)

### COMPLEMENTARY ACCESSORIES



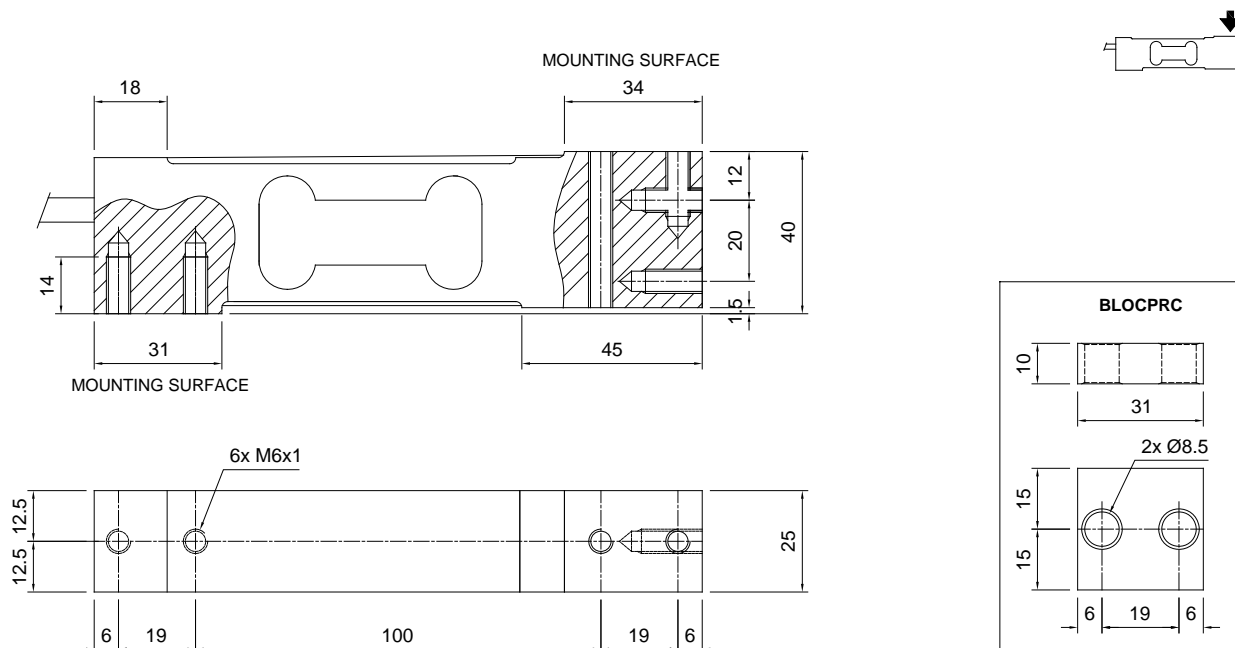
#### DESCRIPTION

Stainless steel drawn block.

#### CODE

BLOCPRC

### DIMENSIONS (mm)



### TECHNICAL FEATURES

Material	AISI 420 stainless steel		
Nominal load (E max)	10 - 30 - 50 - 100 - 200 kg		
Combined error	≤ ±0.03%		
Protection class	IP67		
Rated output	2 mV/V ±10%	Input resistance	385 Ω ±30
Temperature effect on zero	0.0025% °C	Output resistance	350 Ω ±3
Temperature effect on span	0.0025% °C	Zero balance	±1%
Compensated temperature range	-10 °C / +40 °C	Insulation resistance	>2000 MΩ
Operating temperature range	-20 °C / +60 °C	Safe overload (% of full scale)	150%
Creep at nominal load in 30 minutes	0.03%	Ultimate overload (% of full scale)	300%
Max supply voltage without damage	18 V	Deflection at nominal load	0.5 mm

### ELECTRICAL CONNECTIONS

Cable length	6 m
Cable diameter	5 mm
Cores	4/6 x 0.20 mm <sup>2</sup>

