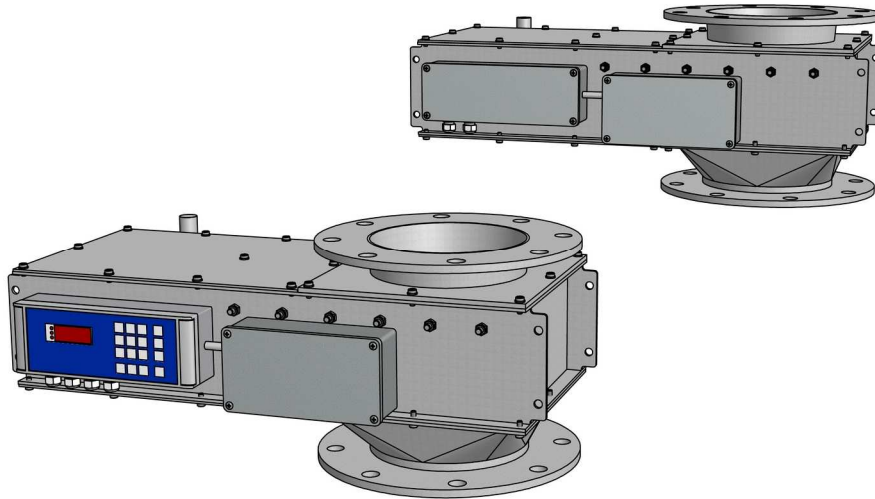


BATCH CONTROLLER BC3

Batch dosing of free flowing bulk solids



Overview

- Pneumatic controlled flat gate with weighing sensor
- Summation of throughput in kg
- Gravimetric batch dosing with preselection of desired amounts in kg
- Easy installation directly under silo outlet
- Very low installation height

Application

The *Batch Controller BC3* is suitable for the following applications:

- Dosing for bulk loading with preselection of desired batch amounts, e.g. for truck loading
- Dosing of product components in batch operation, e.g. for production of feeding stuff
- Measurement of flow capacity and total amount at the outlet of a silo

For operation of the *Batch Controller BC3* full product stock at the inlet of the device is required.

Function

A pneumatic controlled flat gate is located in a steel housing. Under the flat gate there is a weighing sensor which measures the product flow rate. The user enters a desired batch amount and starts dosing, the flat gate opens and the product flows with maximum capacity over the baffle plate. When reaching the desired amount, the dosing is stopped.

Applied products

All free flowing products can be measured, e.g. grain, pulses, granules, malt, pellets, soya and diverse bruised grains.



Construction

The *Batch Controller BC3* consists of basic housing, ball bearing mounted flat gate, pneumatic cylinder, weighing sensor, load cell and electric connections. The housing is dust-tight. It is mounted at the outlet of a silo or bin.

Sizes

The following sizes are available:

Type	Pipe diameter	Approximate flow capacity	Height with flared pipe end	Height with PN-flange
BC3.120	120 mm	20 m ³ /h	220 mm	260 mm
BC3.150	150 mm	40 m ³ /h	220 mm	260 mm
BC3.200	200 mm	80 m ³ /h	305 mm	285 mm
BC3.250	250 mm	120 m ³ /h	320 mm	310 mm

The housing is available in standard steel and stainless steel.

Integration

The device is installed with flared pipe ends or with PN-flanges. On request other pipe connections can be realized.

A compressed air connection of at least 4 bar is required.

Accuracy

The Batch Controller has a measuring tolerance of 0,2 – 1,0 %, depending on inlet condition and product homogeneity.

Evaluation (alternatively)

Extern electronic type FE128

Available for panel mounting (24 V DC) or in wall housing (230 V AC), it can be installed independent from the dosing unit, max. 2 dosing units may be connected, with LCD-display and keypad.

Integrated electronic type FE710

Compact electronic, mounted directly at the dosing unit (24 V DC), with LED-display and keypad, easy integration via profibus interface, RS485 or analogue signals

Supplier information

Company	FRIEDRICH electronic GmbH & Co. KG
Address	Holzmuehlerweg 100, D - 35457 Lollar, Deutschland
Tel	+49 (0) 6406 – 1509
Fax	+49 (0) 6406 – 6602
E-Mail	service@friedrich-electronic.de
Internet	www.friedrich-electronic.de

Due to our policy of continuous development, given specifications and data are subject to change.