

Capacity from 15000 kg to 50000 kg



- SPECIAL STEEL
- COMBINED ERROR $\leq \pm 0.02\%$
- PROTECTION CLASS IP68

CAPACITY	kg	ACCURACY CLASS	OIML	IECEx	Ex	EAC	NET WEIGHT OF LOAD CELL (kg)	CODE
15000		C3	•	•	•	•	3.3	COK15000
25000		C3	•	•	•	•	3.5	COK25000
50000		C3	•	•	•	•	3.7	COK50000
25000	ANTI RAT CABLE	C3	•	•	•	•	4	COK25000AR

ON REQUEST

CERTIFICATIONS

OIML R60 C3

CERTIFICATIONS ON REQUEST

ATEX II 1GD (zone 0-1-2-20-21-22)

IECEx II 1GD (zone 0-1-2-20-21-22)

Complies with the Eurasian Custom Union regulations (Russia, Belarus, Kazakhstan)

COMPLEMENTARY ACCESSORIES



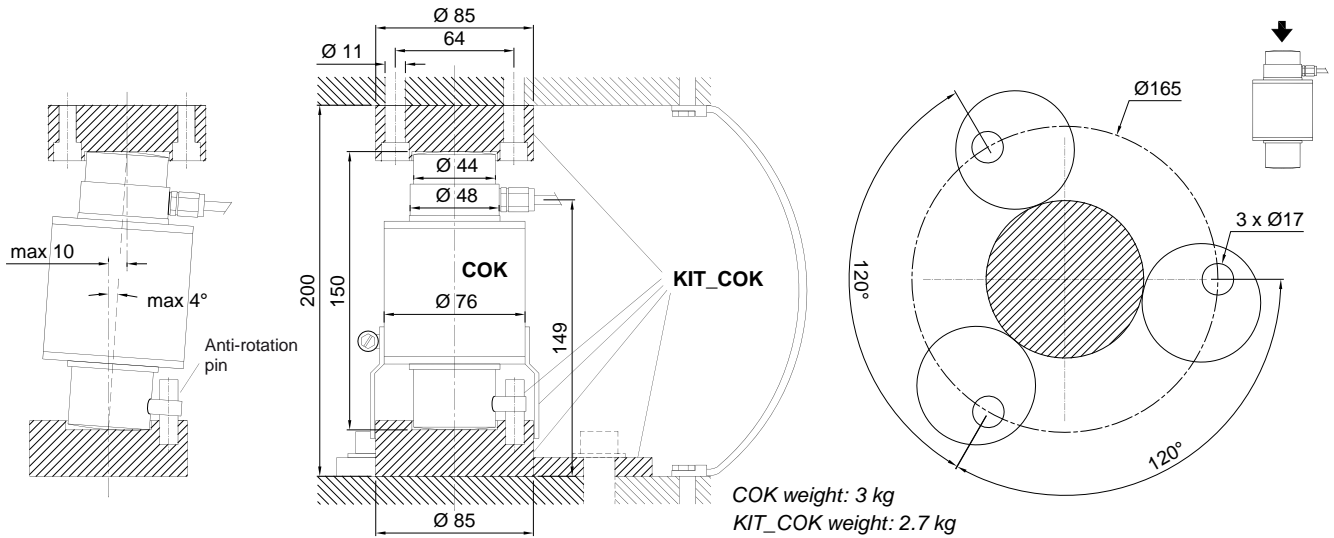
DESCRIPTION

Special steel mounting kit composed by protective rubber seal, 2 bases (upper and lower) and 3 self-centring cylindrical plates.

CODE

KIT_COK

DIMENSIONS (mm)



TECHNICAL FEATURES

Material	Alloy aluminum		
OIML R60 Accuracy class • Verification intervals	C3 • 3000		
Nominal load (E max)	15000 - 25000 - 50000 kg		
Minimum verification interval (V min)	E max / 10000		
Combined error	≤ ±0.02%		
Protection class	IP68		
Rated output	2 mV/V ±0.1%	Input resistance	780 Ω ±20
Temperature effect on zero	0.002% °C	Output resistance	700 Ω ±10
Temperature effect on span	0.002% °C	Zero balance	±1%
Compensated temperature range	-10 °C / +40 °C	Insulation resistance	>5000 MΩ
Operating temperature range	-30 °C / +70°C	Safe overload (% of full scale)	150%
Creep at nominal load in 30 minutes	0.02%	Ultimate overload (% of full scale)	250%
Max supply voltage without damage	15 V	Deflection at nominal load	0.6 - 1 mm

ELECTRICAL CONNECTIONS

Cable length	20 m
Cable diameter	6 mm
Cores	6 x 0.22 mm ²

