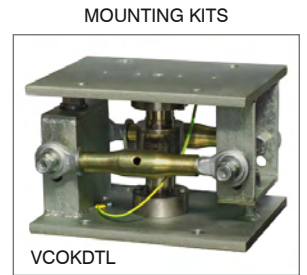
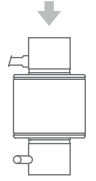


COLD

COLUMN LOAD CELLS - RS485 OUTPUT



Capacity 30000 kg



- 17-4 PH STAINLESS STEEL
- COMBINED ERROR $\leq \pm 0.013\%$
- PROTECTION CLASS IP68
- RS485 OUTPUT

| CAPACITY | kg | ACCURACY CLASS | OIML | IECEx | Ex | EAC | NET WEIGHT OF LOAD CELL (kg) | CODE |
|------------|----|----------------|------|-------|----|-----|------------------------------|-----------|
| 30000 | | C4 | | | | • • | 3.5 | COLD30000 |
| ON REQUEST | | | | | | | | |

CERTIFICATIONS

OIML R60 C4

CERTIFICATIONS ON REQUEST

ATEX II 1GD (zone 0-1-2-20-21-22)

IECEx II 1GD (zone 0-1-2-20-21-22)

Complies with the Eurasian Custom Union regulations (Russia, Belarus, Kazakhstan)

COMPLEMENTARY ACCESSORIES



DESCRIPTION

AISI 420 hardened steel mounting kit composed by rubber sheath, 2 bases (upper and lower) and 3 self-centring cylindrical plates.

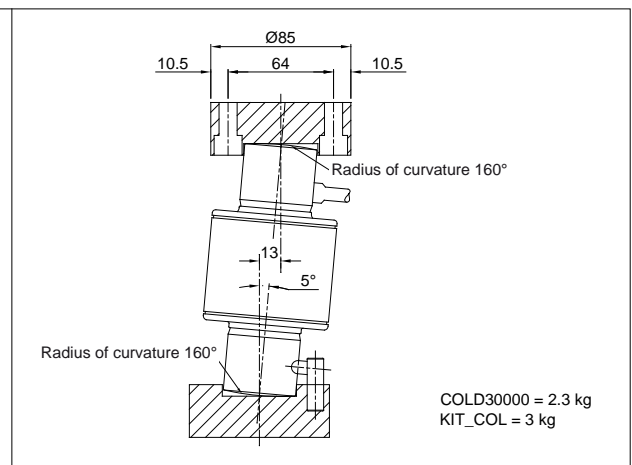
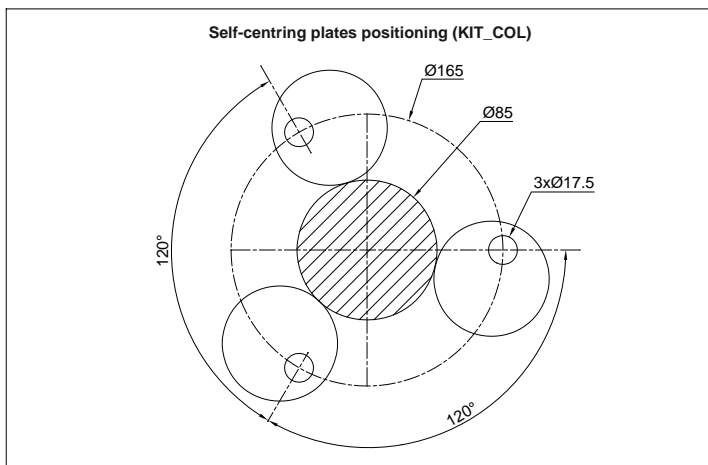
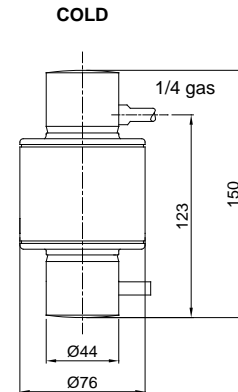
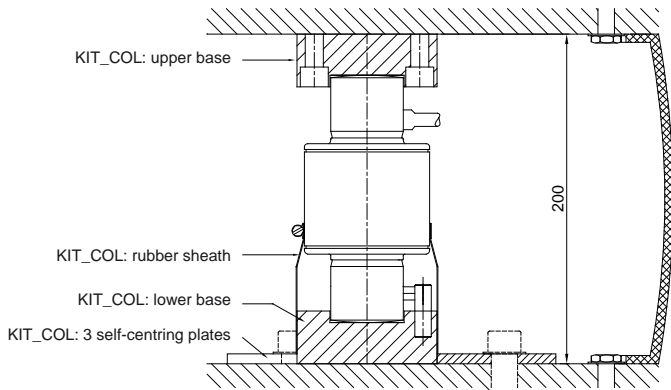
CODE

KIT_COL

COLD

COLUMN LOAD CELLS - RS485 OUTPUT

DIMENSIONS (mm)



TECHNICAL FEATURES

| | | | |
|--|-------------------------|-------------------------------------|-------------|
| Material | 17-4 PH stainless steel | | |
| OIML R60 Accuracy class • Verification intervals | C4 • 4000 | | |
| Nominal load (E max) | 30000 kg | | |
| Minimum verification interval (V min) | E max / 12000 | | |
| Combined error | ≤ ±0.013% | | |
| Protection class | IP68 | | |
| Rated output (counts) | 2000000 ± 0.05% | Creep at nominal load in 30 minutes | 0.012% |
| Power supply | 8-15 VDC | Zero balance (% on rated output) | ±0.1% |
| Supply current | 60 mA (max) | Safe overload (% of full scale) | 120% |
| Temperature effect on zero | 0.002% °C | Ultimate overload (% of full scale) | 150% |
| Temperature effect on span | 0.0012% °C | Deflection at nominal load | 0.6 - 1 mm |
| Compensated temperature range | -10 °C / +40 °C | RS485 serial interface | Full duplex |
| Operating temperature range | -30 °C / +70 °C | Maximum transmission cable length | 1200 m |

ELECTRICAL CONNECTIONS

| | |
|----------------|--------------------------|
| Cable length | 20 m |
| Cable diameter | 6 mm |
| Cores | 6 x 0.22 mm ² |

| | |
|----------------|--------|
| VDC EXCITATION | RED |
| GND | BLACK |
| TX + | YELLOW |
| TX - | WHITE |
| RX + | GREEN |
| RX - | BLUE |

The Company reserves the right to make changes to the technical data, drawings and images without notice.