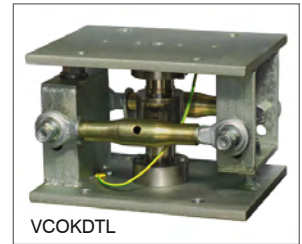




Capacity from 30000 kg to 60000 kg



MOUNTING KITS



- 17-4 PH STAINLESS STEEL
- COMBINED ERROR $\leq \pm 0.013\%$
- PROTECTION CLASS IP68

CAPACITY	kg	ACCURACY CLASS C4	IECEx	Ex	EAC	NET WEIGHT OF LOAD CELL (kg)	CODE
30000		•	•	•		2.5	COL30000
60000		•	•	•		3.5	COL60000
<div style="border: 1px solid black; width: 50px; margin: 0 auto; height: 15px;"></div> ON REQUEST							

CERTIFICATIONS

OIML R60 C4

CERTIFICATIONS ON REQUEST

ATEX II 1GD (zone 0-1-2-20-21-22)

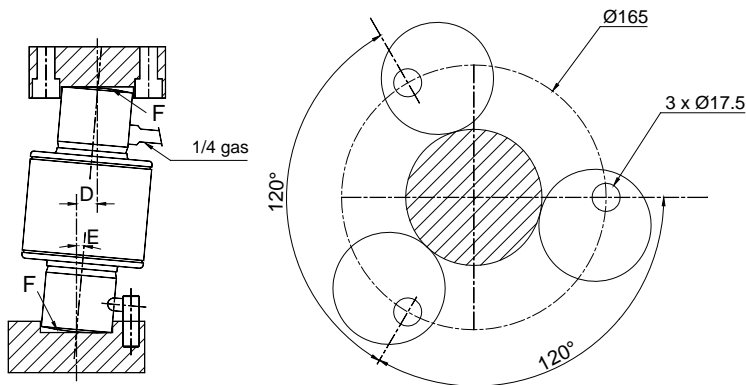
IECEx (zone 0-1-2-20-21-22)

Complies with the Eurasian Custom Union regulations (Russia, Belarus, Kazakhstan)

COMPLEMENTARY ACCESSORIES

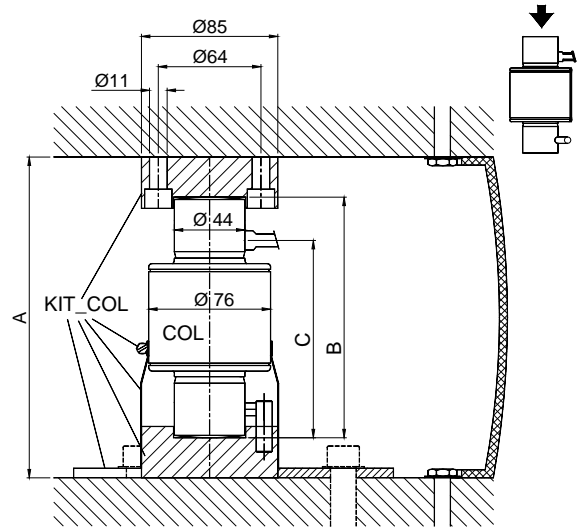
	DESCRIPTION	CODE
	AISI 420 hardened steel mounting kit composed by rubber sheath, 2 bases (upper and lower) and 3 self-centring cylindrical plates.	KIT_COK

DIMENSIONS (mm)



	A	B	C	D max.	E (max. angle)	F (curvature radius)	weight
COL 30000	200	150	123	13	5°	160°	2.3 kg
COL 60000	260	210	153	11	3°	220°	3.7 kg

KIT_COL weight = 3 kg



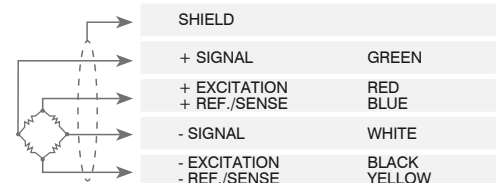
TECHNICAL FEATURES

Material	17-4 PH stainless steel		
OIML R60 Accuracy class • Verification intervals	C4 • 4000		
Nominal load (E max)	30000 - 60000 kg		
Minimum verification interval (V min)	E max / 10000		
Combined error	≤ ±0.013%		
Protection class	IP68		
Rated output	2 mV/V ±0.1% *	Input resistance	800 Ω ±30
Temperature effect on zero	0.002% °C	Output resistance	700 Ω ±10
Temperature effect on span	0.0012% °C	Zero balance	±2%
Compensated temperature range	-10 °C / +40 °C	Insulation resistance	≥5000 MΩ
Operating temperature range	-30 °C / +70 °C	Safe overload (% of full scale)	120%
Creep at nominal load in 30 minutes	0.016%	Ultimate overload (% of full scale)	200%
Max supply voltage without damage	15 V	Deflection at nominal load	0.6 - 1 mm

* Calibrated current output

ELECTRICAL CONNECTIONS

Cable length	20 m
Cable diameter	6 mm
Cores	6 x 0.22 mm ²



The Company reserves the right to make changes to the technical data, drawings and images without notice.