

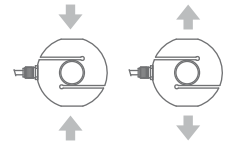
# CTOL

## TENSION (COMPRESSION) LOAD CELLS

**LAUMAS®**  
ELETTRONICA



Manufactured according to OIML R60 standards



Capacity from 50 kg to 300 kg



- AISI 420 STAINLESS STEEL
- COMBINED ERROR  $\leq \pm 0.03\%$
- PROTECTION CLASS IP67

Capacity from 500 kg to 5000 kg



CAPACITY	kg	IECEx	Ex	EAC	NET WEIGHT OF LOAD CELL (kg)	CODE
50		•	•	•	0.7	CTOL50
100		•	•	•	0.7	CTOL100
200		•	•	•	0.7	CTOL200
300		•	•	•	0.7	CTOL300
500		•	•	•	0.7	CTOL500
1000		•	•	•	1.4	CTOL1000
2500		•	•	•	1.4	CTOL2500
5000		•	•	•	2.7	CTOL5000

ON REQUEST

### CERTIFICATIONS

#### CERTIFICATIONS ON REQUEST

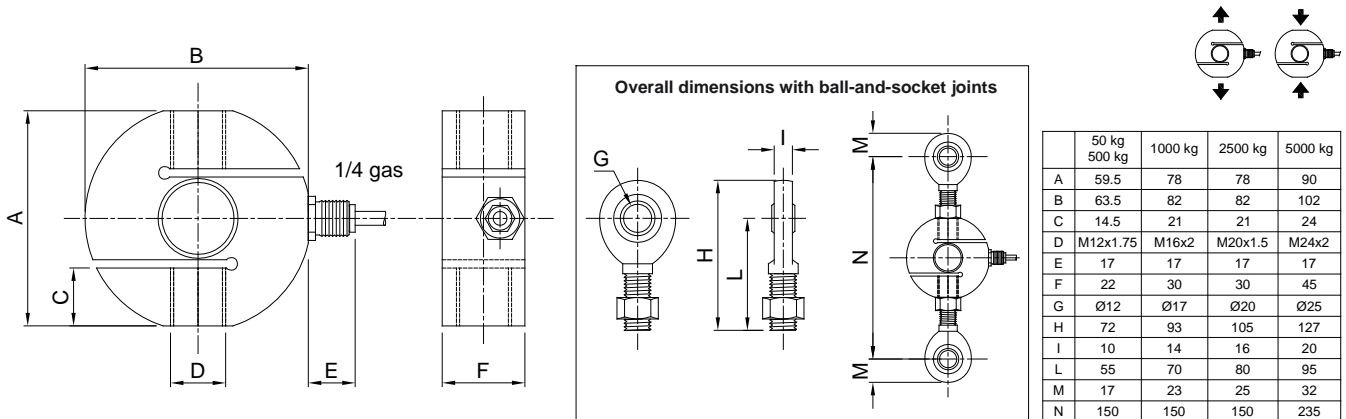
Ex	ATEX II 1GD (zone 0-1-2-20-21-22)
IECEx Ex	IECEx II 1GD (zone 0-1-2-20-21-22)
EAC	Complies with the Eurasian Custom Union regulations (Russia, Belarus, Kazakhstan)

### COMPLEMENTARY ACCESSORIES



DESCRIPTION	CODE
Special steel ball-and-socket joint with nut	
Dimensions:	Load cell capacity:
M12x1.75	50-500 kg
M16x2	1000 kg
M20x1.5	2500 kg
M24x2	5000 kg
	EM12DADO
	EM16DADO
	EM20DADO
	EM25DADO

### DIMENSIONS (mm)

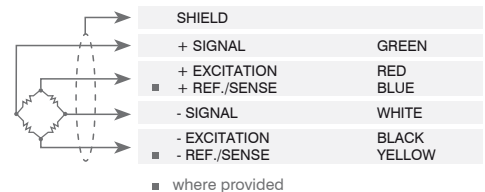


### TECHNICAL FEATURES

Material	AISI 420 stainless steel		
Nominal load (E max)	50 - 100 - 200 - 300 - 500 - 1000 - 2500 - 5000 kg		
Combined error	≤ ±0.03%		
Protection class	IP67		
Rated output	2 mV/V ±0.4%	Input resistance	385 Ω ±30
Temperature effect on zero	0.0025% °C	Output resistance	350 Ω ±10
Temperature effect on span	0.0025% °C	Zero balance	±2%
Compensated temperature range	-10 °C / +40 °C	Insulation resistance	>2000 MΩ
Operating temperature range	-20 °C / +60 °C	Safe overload (% of full scale)	150%
Creep at nominal load in 30 minutes	0.03%	Ultimate overload (% of full scale)	250%
Max supply voltage without damage	15 V	Deflection at nominal load	0.4 mm

### ELECTRICAL CONNECTIONS

Cable length	10 m
Cable diameter	5 mm
Cores	4/6 x 0.20 mm <sup>2</sup>



The Company reserves the right to make changes to the technical data, drawings and images without notice.