

DTX

DOUBLE SHEAR BEAM LOAD CELLS

LAUMAS®
ELETTRONICA



Capacity from 20klb to 60klb



- NICKEL PLATED ALLOY STEEL
- COMBINED ERROR $\leq \pm 0.02\%$
- PROTECTION CLASS IP68

MOUNTING KITS



klb / about ton	ACCURACY CLASS C3		EAC	NET WEIGHT OF LOAD CELL (kg)	CODE
20klb / 9 ton	•	•	•	-	DTX20KLB
40klb / 18 ton	•	•	•	-	DTX40KLB
50klb / 23 ton	•	•	•	-	DTX50KLB
60klb / 27 ton	•	•	•	-	DTX60KLB

ON REQUEST

CERTIFICATIONS



OIML R60 C3

CERTIFICATIONS ON REQUEST



ATEX II 1GD (zone 0-1-2-20-21-22)

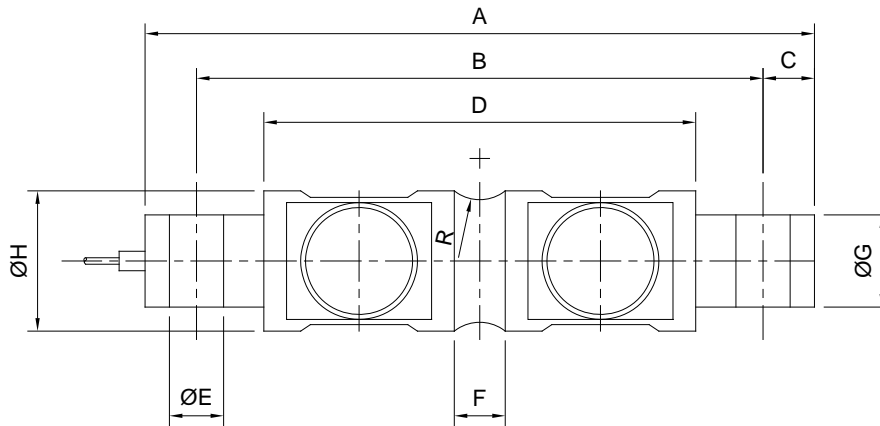


IECEx II 1GD (zone 0-1-2-20-21-22)



Complies with the Eurasian Custom Union regulations (Russia, Belarus, Kazakhstan)

DIMENSIONS (mm)



	A	B	C	D	ØE	F	ØG	ØH	R
20 klb	206.3	174.6	15.8	133.1	16.7	21.6	28.4	49.5	12.7
40-60 klb	260.4	215.9	22.4	165.1	26.9	25.4	60.2	76.2	25.4

TECHNICAL FEATURES

Material	Nickel plated alloy steel		
OIML R60 Accuracy class • Verification intervals	C3 • 3000		
Nominal load (E max)	20, 40, 50, 60 klb		
Minimum verification interval (V min)	E max / 10000 - E max / 15000		
Combined error	±0.023%		
Protection class	IP68		
Rated output	3.0 mV/V ±0.1%	Input resistance	700 Ω ±7
Temperature effect on zero	0.002% °C	Output resistance	700 Ω ±7
Temperature effect on span	0.002% °C	Zero balance	≤ ±1%
Compensated temperature range	-10 °C / +40 °C	Insulation resistance	≥5000 MΩ
Operating temperature range	-35 °C / +65 °C	Safe overload (% of full scale)	150%
Creep at nominal load in 30 minutes	0.016%	Ultimate overload (% of full scale)	300%
Max supply voltage without damage	18 V	Deflection at nominal load	0.6 mm

ELECTRICAL CONNECTIONS

Cable length	9 m
Cable diameter	5 mm (20klb) 8 mm (40klb-60klb)
Cores	4/6 x 0.22 mm ²

