

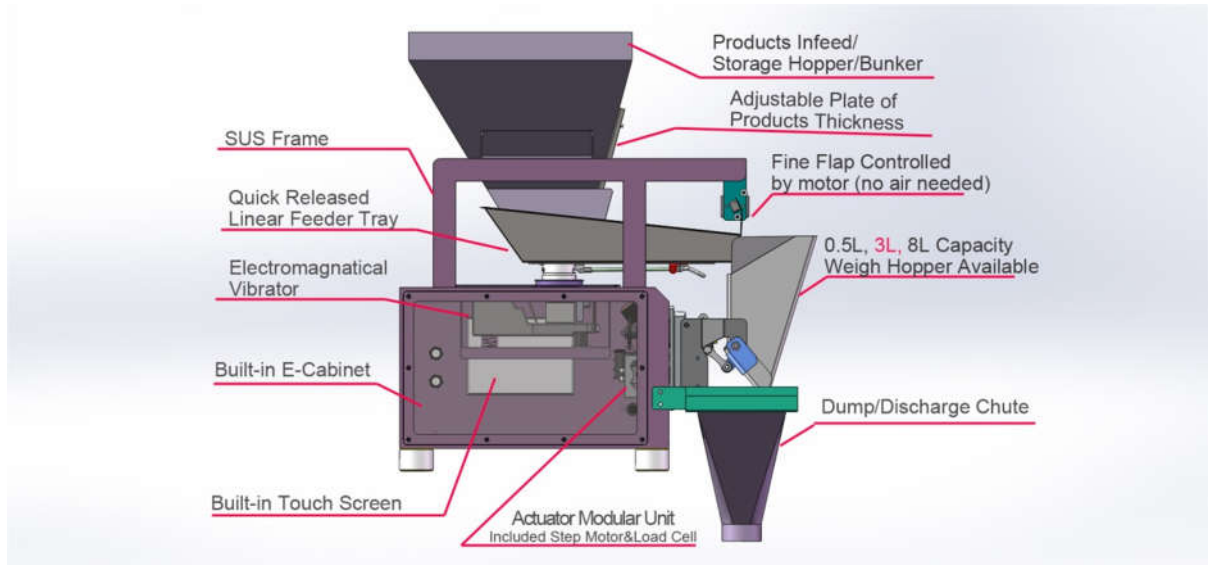
## **E1H3L STANDARD 1HEAD 3L WEIGHER**



### **OVERVIEW**

Based on years' experience, we develop and produce this economical and efficient linear weight filler series according to different material nature, the weighing speed and accuracy is controlled through vibrator strength and material thickness, small invest, fast return, limited space, easy operation and maintenance, comparable speed and accuracy on big weight with multihead, popular with small and Mid-plant, save labor and material, enhance efficiency, 1head, 2head, 3head and 4head or above heads, 1-2-3 level vibration feeder can be customized. Coarse and fine material feeding design, work alone or integrated with cup, bucket, bottle, tray packing machine, VFFS, mini daypack machine, etc. Widely apply for rice, seeds, fodder, beans, sugar, popcorn, chips, nuts, pet food, tea and metal or plastic parts, etc.

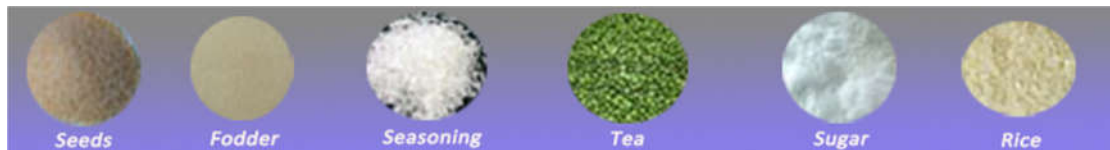
## STRUCTURE



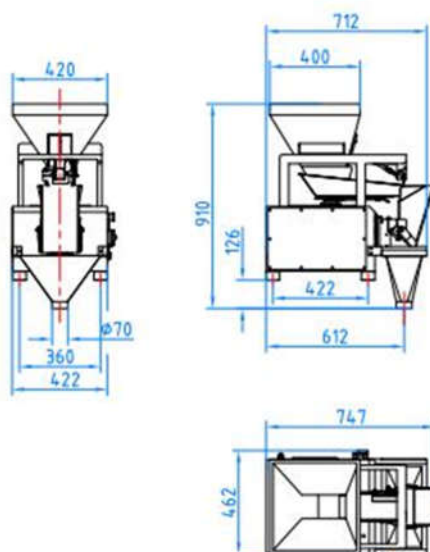
## APPLICATION

Easy flowing powder or small granules material.

Rice, seeds, nuts, spices, beans, fodder, sugar, seasoning, salt, etc.



## Size Drawing:



## KEY TECHNOLOGY

- ◆ Full 304SUS building material;
- ◆ Compact design with small footprint;
- ◆ Tool-free install, dismantle and clean;
- ◆ Easy operation and low maintenance;
- ◆ Coarse and fine feeding material control;
- ◆ Different administrator levels management;
- ◆ PLC + Touch screen control system;
- ◆ Free parameter adjusting during running;
- ◆ Self R&D interchangeable main PCB board control;
- ◆ Up to 10 product recipes preset;

## OPTIONS AVAILABLE

- In-feed bulk material conveyor
- Front protection glass enclosure
- Support gantry/stand
- Various size dump chute outlet
- Enlarge size in-feed bunker
- Linear feeder fine flap driven by motor
- 316SUS food contacting parts

## TECHNICAL SPECIFICATIONS

Model	E1H3L
Heads No.	1
Weighing Range	10-1000g per head
Accuracy	0.1-1.5g
Max. Speed	5-15PPM
Weigh Hopper Capacity	3000ml
In-feed Loading Hopper	60L
Control System	PLC + Touch Screen
Preset Recipes	10
Max. Products	NO
Power Supply	AC220V ±10% 50Hz, 1Phase

## REFERENCE PHOTOS

