

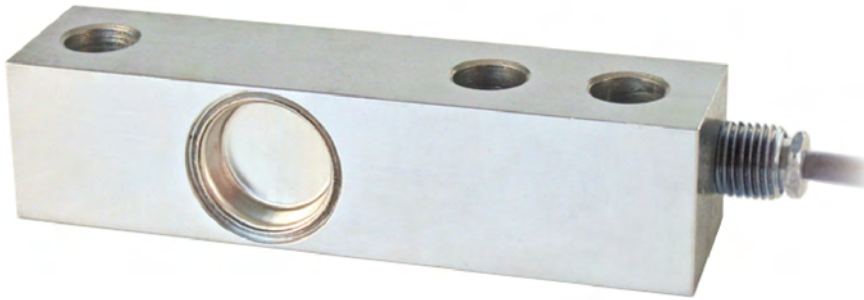
FT-P

SHEAR BEAM LOAD CELLS

LAUMAS®
ELETTRONICA



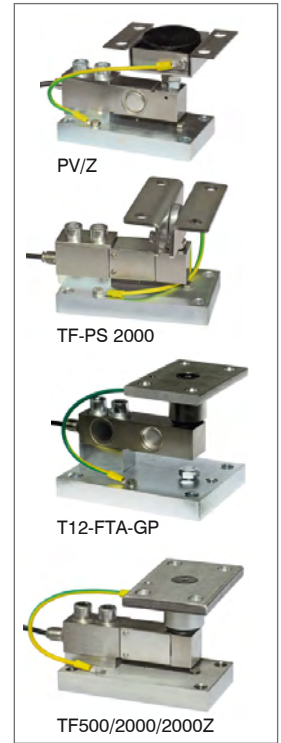
Capacity from 500 kg to 2000 kg



- 17-4 PH STAINLESS STEEL
- COMBINED ERROR $\leq \pm 0.02\%$
- PROTECTION CLASS IP68



MOUNTING KITS



CAPACITY	kg	ACCURACY CLASS	OIML	IECEx	Ex	EAC	NET WEIGHT OF LOAD CELL (kg)	CODE
500		C3		•	•		0.9	FT-P500
1000		C3		•	•		0.9	FT-P1000
2000		C3		•	•		0.9	FT-P2000

ON REQUEST

CERTIFICATIONS

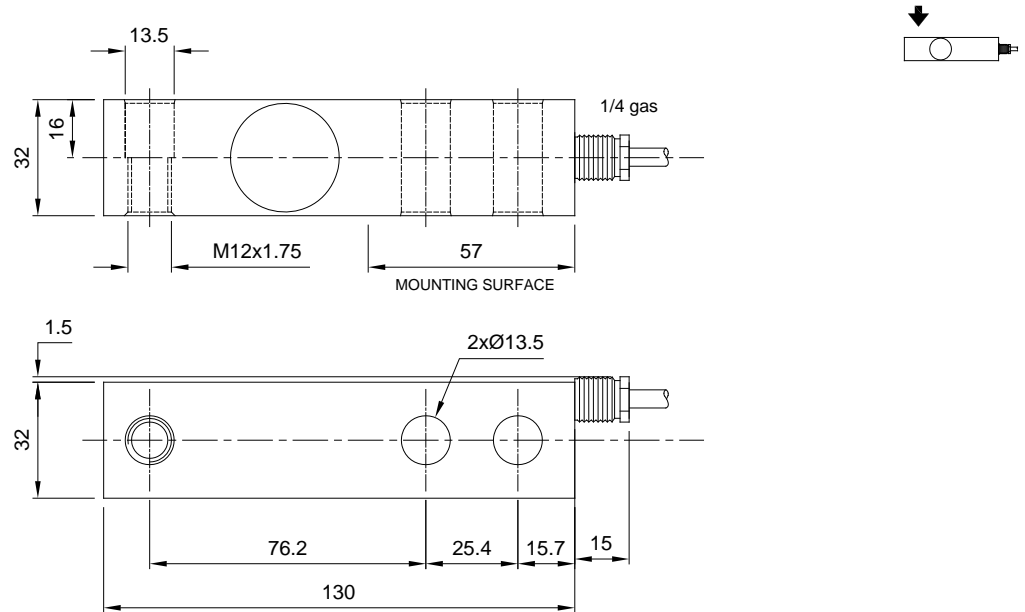
OIML R60 C3

CERTIFICATIONS ON REQUEST

	Declaration of conformity + IP69K marking protection rating Water protection when cleaning high pressure / steam jet (Test: pressurized hot water is sprayed from a distance of 150 mm). Water pressure 100 bar; temperature 80 ° C; test duration 250 seconds (Reference standard DIN 40050-9).
	ATEX II 1GD (zone 0-1-2-20-21-22)
	IECEx II 1GD (zone 0-1-2-20-21-22)
	Complies with the Eurasian Custom Union regulations (Russia, Belarus, Kazakhstan)

Rev. 00 del 12/03/2015

DIMENSIONS (mm)

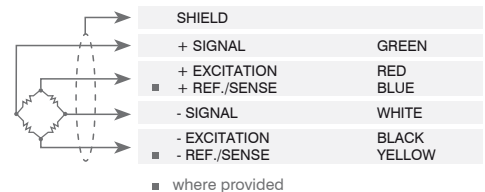


TECHNICAL FEATURES

Material	17-4 PH stainless steel		
OIML R60 Accuracy class • Verification intervals	C3 • 3000		
Nominal load (E max)	500 - 1000 - 2000 kg		
Minimum verification interval (V min)	E max / 15000		
Combined error	≤ ±0.02%		
Protection class	IP68		
Rated output	2.0 mV/V ±0.4%	Input resistance	385 Ω ±10
Temperature effect on zero	0.002% °C	Output resistance	350 Ω ±3
Temperature effect on span	0.0012% °C	Zero balance	±2%
Compensated temperature range	-10 °C / +40 °C	Insulation resistance	≥5000 MΩ
Operating temperature range	-20 °C / +70 °C	Safe overload (% of full scale)	150%
Creep at nominal load in 30 minutes	0.016%	Ultimate overload (% of full scale)	200%
Max supply voltage without damage	15 V	Deflection at nominal load	0.4 mm

ELECTRICAL CONNECTIONS

Cable length	5 m
Cable diameter	5 mm
Cores	4/6 x 0.25 mm ²



The Company reserves the right to make changes to the technical data, drawings and images without notice.