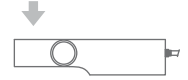




Capacity from 500 kg to 10000 kg



- 17-4 PH STAINLESS STEEL
- COMBINED ERROR  $\leq \pm 0.0200\%$  (0.0170% C4)
- PROTECTION CLASS IP68

CAPACITY	kg	ACCURACY CLASS		IECEx Ex	EAC	NET WEIGHT OF LOAD CELL (kg)	CODE
		C3	C4				
500		–	•	•	•	2.1	FTZA500
1000		–	•	•	•	2.1	FTZA1000
2000		–	•	•	•	2.1	FTZA2000
5000		•	–	•	•	4.2	FTZA5000
7500		•	–	•	•	4.2	FTZA7500
10000		•	–	•	•	4.2	FTZA10000

ON REQUEST

### CERTIFICATIONS

OIML R60 C3 / C4

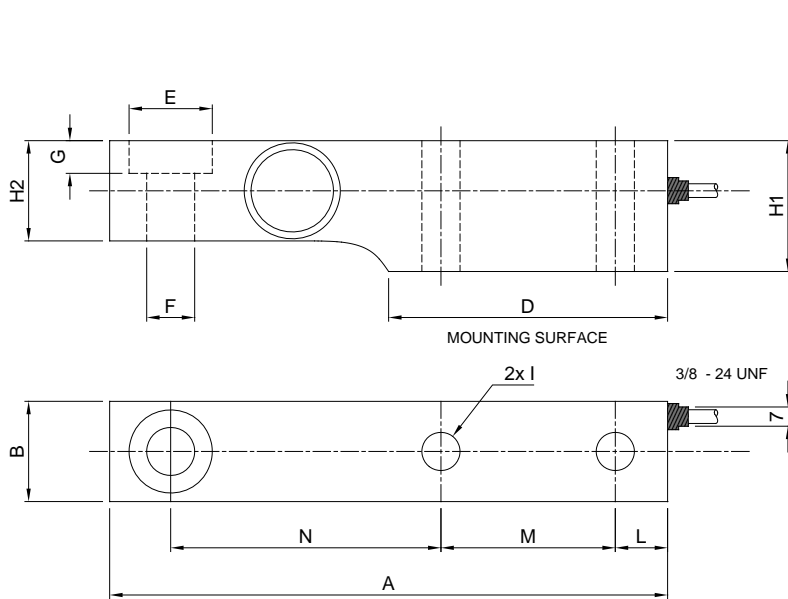
CERTIFICATIONS ON REQUEST

ATEX II 1GD (zone 0-1-2-20-21-22)

IECEx II 1GD (zone 0-1-2-20-21-22)

Complies with the Eurasian Custom Union regulations (Russia, Belarus, Kazakhstan)

### DIMENSIONS (mm)



	500 kg 1000 kg 2000 kg	5000 kg 7500 kg	10000 kg
A	203.2	234.95	234.95
B	36.48	47.36	55
D	101.6	111	111
E	Ø30.3	Ø41.4	Ø41.4
F	Ø17.48	Ø25.5	Ø25.5
G	11.9	15.75	15.75
H1	47.63	69.85	69.85
H2	36.5	47.64	58.6
I	Ø13.9	Ø22.23	Ø25
L	19.05	20.62	20.62
M	63.5	66.7	66.7
N	98.43	123.8	123.8

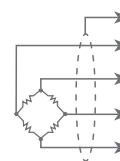
### TECHNICAL FEATURES

Material	17-4 PH stainless steel	
OIML R60 Accuracy class • Verification intervals	C3 • 3000	C4 • 4000
Nominal load (E max)	5000 - 7500 - 10000 kg	500 - 1000 - 2000 kg
Minimum verification interval (V min)	E max / 10000	E max / 15000
Combined error	≤ ±0.02%	≤ ±0.017%
Protection class	IP68	
Rated output	2 mV/V ±0.2% *	Input resistance 350 Ω ±3.5
Temperature effect on zero	0.0018% °C	Output resistance 350 Ω ±3.5
Temperature effect on span	0.0014% °C	Zero balance < ±1%
Compensated temperature range	-10 °C / +40 °C	Insulation resistance ≥5000 MΩ
Operating temperature range	-35 °C / +65 °C	Safe overload (% of full scale) 150%
Creep at nominal load in 30 minutes	0.02%	Ultimate overload (% of full scale) 300%
Max supply voltage without damage	18 V	Deflection at nominal load 0.4 mm

\* Calibrated current output

### ELECTRICAL CONNECTIONS

Cable length	5 m (500 - 7500 kg) 10 m (10000 kg)
Cable diameter	5 mm
Cores	4 x 0.20 mm <sup>2</sup>



SHIELD	
+ SIGNAL	GREEN
+ EXCITATION	RED
- SIGNAL	WHITE
- EXCITATION	BLACK

The Company reserves the right to make changes to the technical data, drawings and images without notice.