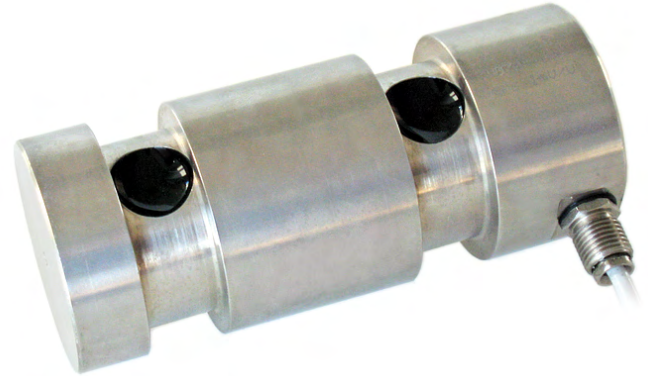
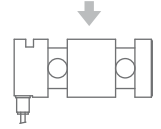




Manufactured according to OIML R60 standards

Capacity from 5000 kg to 20000 kg



- 17-4 PH STAINLESS STEEL
- COMBINED ERROR $\leq \pm 0.1\%$
- PROTECTION CLASS IP67

CAPACITY	kg	IECEx	Ex	EAC	NET WEIGHT OF LOAD CELL (kg)	CODE
5000		•	•	•	2.9	LAU5000
10000		•	•	•	3.2	LAU10000
20000		•	•	•	3.4	LAU20000

ON REQUEST

CERTIFICATIONS

CERTIFICATIONS ON REQUEST

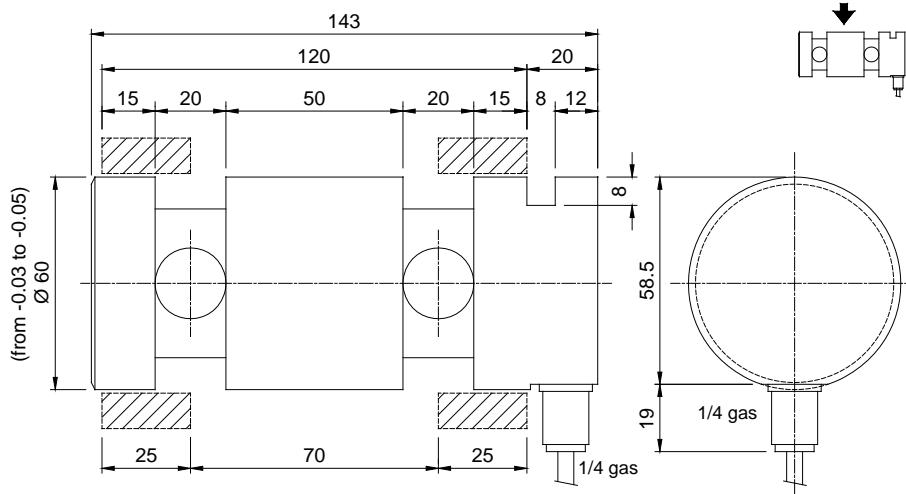
- ✓ Calibration report (ACCREDIA LAT traceability)
- Ex ATEX II 1GD (zone 0-1-2-20-21-22)
- IECEx Ex IECEx II 1GD (zone 0-1-2-20-21-22)
- EAC Complies with the Eurasian Custom Union regulations (Russia, Belarus, Kazakhstan)

OPTIONS ON REQUEST

DESCRIPTION

Two redundant strain gauges Wheatstone bridges (350 Ω) with two output cables; for dual safety systems

DIMENSIONS (mm)

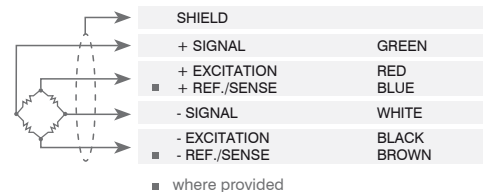


TECHNICAL FEATURES

Material	17-4PH stainless steel		
Nominal load (E max)	5000 - 10000 - 20000 kg		
Combined error	≤ ±0.1%		
Protection class	IP67		
Rated output	1 mV/V ±0.1%	Input resistance	350 Ω ±20
Temperature effect on zero	0.005% °C	Output resistance	350 Ω ±5
Temperature effect on span	0.005% °C	Zero balance	±1%
Compensated temperature range	-10 °C / +50 °C	Insulation resistance	>5000 MΩ
Operating temperature range	-20 °C / +70 °C	Safe overload (% of full scale)	150%
Creep at nominal load in 30 minutes	0.03%	Ultimate overload (% of full scale)	400%
Max supply voltage without damage	15 V	Deflection at nominal load	0.4 mm

ELECTRICAL CONNECTIONS

Cable length	10 m
Cable diameter	5 mm
Cores	4/6 x 0.14 mm ²



The Company reserves the right to make changes to the technical data, drawings and images without notice.