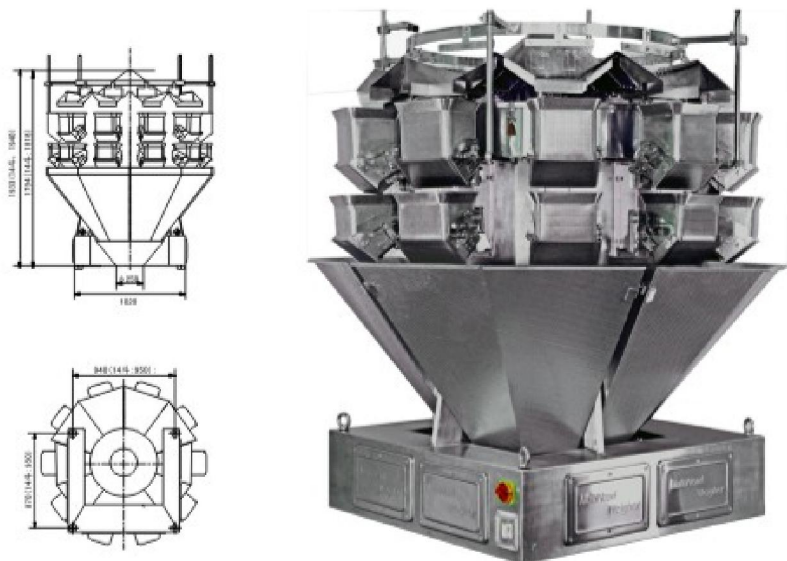
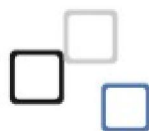


HDM Large Volume Multihead Weigher



AC-6B10-2B-06Y

Application:

Confectionery / peanuts / snack / chips / nuts / jelly / flakes / cookies / bakery / coffee beans / pet foods / dry granule or smaller objects / Frozen solid fruit and Vegetable. (LWH is limit to 50MM)

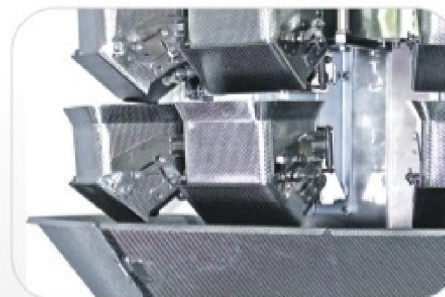


Specification

Item	5.5L Large Volume 10-Heads Salad Weigher	5.5L Large Volume 14-Heads Salad Weigher
Model	AC-6B10-2B-06Y	AC-6B14-2B-06Y
Generation	2.5/3	2.5/3
Weighing Range	10g-9,999g	10g-9,999g
Accuracy	±1-3g	±1-3g
Max.speed	60WPM	120WPM
Power Supply	220V, 50/60Hz,2KW	220V, 50/60Hz,3KW
Hopper Volume	5.5L (dimple plate)	5.5L (dimple plate)
Monitor	10.4 inches Color Touch Screen	
Dimension(mm)	1900*1266*1900	2340*1710*1860
Optional Parts	Skirt on linear feeder pan / Cylinder gate on feeder pan / Pressure valve / Heater.	
Optional Modification	Rotary top cone / Plain hopper / 316 Stainless steel / Inner feeder pan angle / Cross baffle in collating funnel / Teflon coating / Collating chute angle.	

Special Features

- 5.5 liter bigger size hopper design for bulky and larger volume products.
- The actuation of main feeder may select Servo motor, Speed down motor and vibrator three different ways which can meet different requirements of customer.
- Full stainless 304 steel construction, stainless 316 surface and dimple/plain plate are available.



(5.5L Large Volume)



(10.4 inches Color Touch Screen)