

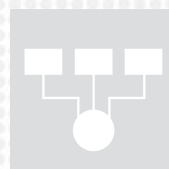


Your partner in inspection and quality control



checkweigher

09D3



Your partner in inspection and quality control



go to the web-page dedicated to this product



PRISMA

checkweigher

09D3

Equipment

- Digital electronics with alphanumeric graphic display
- Electronic self-calibration device
- 3 levels password access protection
- Mobile average function
- 100 storable product programs
- 2 RS232 serial ports
- Production data management in conformity with the standards in force
- Conformity with standards ISO - FDA - HACCP - GMP

Optional

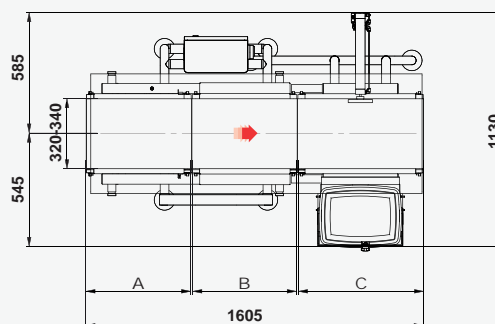
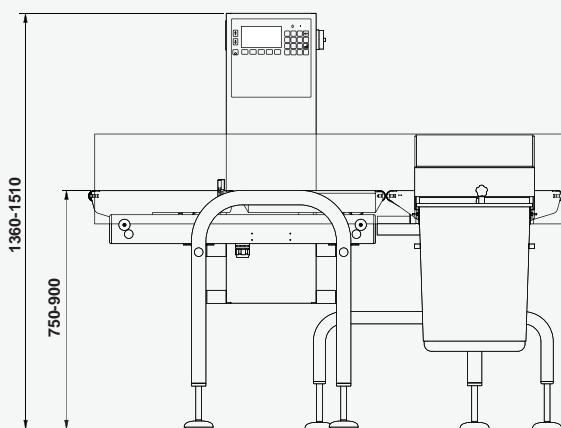
- Ejection systems
- Reject management systems
- Stainless steel rejection bin
- Wind-prevention tunnel
- 24-columns panel printer
- Quick-disassembly conveyors (320 mm belts)
- Special conveyors
- Separated electronic equipment
- Alarms notification
- Ethernet interface
- USB interface
- Products programs memory expansion
- Feed-back function
- FAT/SAT, IQ/OQ validations
- MID Certification

Technical Specifications

09D3

Weighing range	up to 10000 g
Display division	from 1,0 g
Linear speed	up to 50 m/min
Throughput	up to 100 ppm
Accuracy*	from ± 1 g
Pneumatic supply	0,6 Mpa
Air consumption (for ejection)	5 NI
Power supply	230V 50/60Hz single phase
Power consumption	800 W
Mirror finishing of metal parts	Stainless Steel IP65
Climatic environment	from 5°C up to +40°C non-condensing (closed)

*depending on the weight, dimensions and type of product



Plates configurations		
Infeed	Weighing	Outfeed
A	B	C
500	500	600
400	600	600



The manufacturer reserves the right to change the product specifications without notice. The image and the drawing are indicative of one of the possible configurations of the machine.

PRISMA INDUSTRIALE S.r.l.

Via La Bionda, 17 - 43036 Fidenza - Parma - Italy • Tel. +39 0524 527270 - Fax +39 0524 524142
www.prismaindustriale.com • info@prismaindustriale.com