

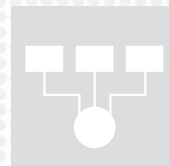


Your partner in inspection and quality control



checkweigher

11D3



# Your partner in inspection and quality control



go to the web-page dedicated to this product



**PRISMA**

**checkweigher**

**11D3**

## Equipment

- Digital electronics with alphanumeric graphic display
- Electronic self-calibration device
- 3 levels password access protection
- Mobile average function
- Separated electronic equipment
- 100 storable product programs
- 2 RS232 serial ports
- Production data management in conformity with the standards in force
- Conformity with standards ISO - FDA - HACCP - GMP

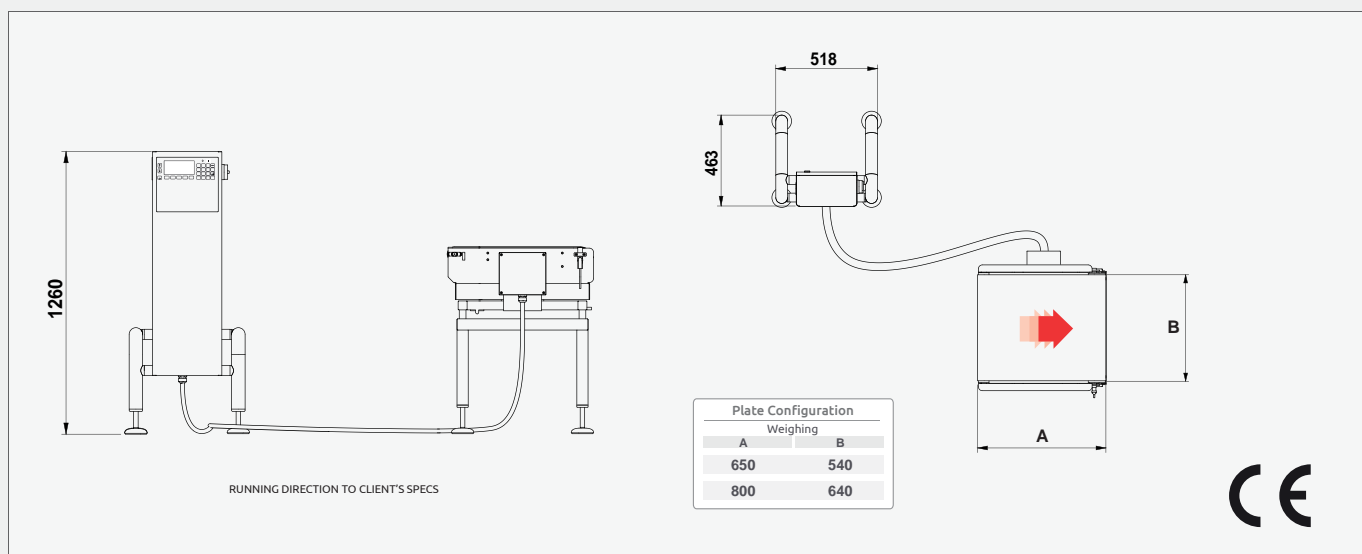
## Optional

- Ejection systems
- Reject management systems
- Wind-prevention tunnel
- 24-columns panel printer
- Alarms notification
- Ethernet interface
- USB interface
- Products programs memory expansion
- Feed-back function
- FAT/SAT, IQ/OQ validations

## Technical Specifications 11D3

Weighing range	up to 60000 g
Display division	from 5 g
Linear speed	up to 50 m/min
Throughput	up to 60 ppm
Power supply	380V three phase 50/60Hz with ground and neutral
Power consumption	1000 W
Version	Stainless Steel IP54 - IP65
Climatic environment	from 5°C up to +40°C non-condensing (closed)

\*depending on the weight, dimensions and type of product



The manufacturer reserves the right to change the product specifications without notice. The image and the drawing are indicative of one of the possible configurations of the machine.

### PRISMA INDUSTRIALE S.r.l.

Via La Bionda, 17 - 43036 Fidenza - Parma - Italy • Tel. +39 0524 527270 - Fax +39 0524 524142  
www.prismaindustriale.com • info@prismaindustriale.com