

CLK

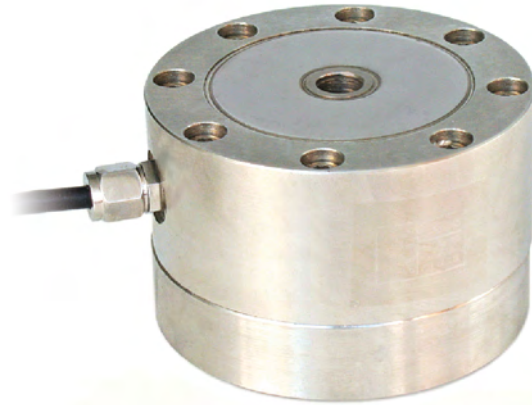
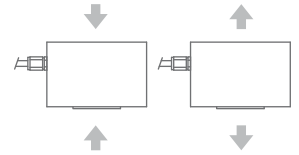
COMPRESSION / TENSION LOAD CELLS

LAUMAS[®]
ELETTRONICA



Manufactured according to OIML R60 standards

Capacity from 2000 kg to 20000 kg



- SPECIAL STEEL
- BIDIRECTIONAL TENSION AND COMPRESSION
- COMBINED ERROR $\leq \pm 0.05\%$ (0,1% capacities 10000 kg and 20000 kg)
- PROTECTION CLASS IP67

CAPACITY	kg	EAC	NET WEIGHT OF LOAD CELL (kg)	CODE
2000		• •	4.2	CLK2000
5000		• •	5.8	CLK5000
10000		• •	10.5	CLK10000
20000		• •	11	CLK20000
		ON REQUEST		

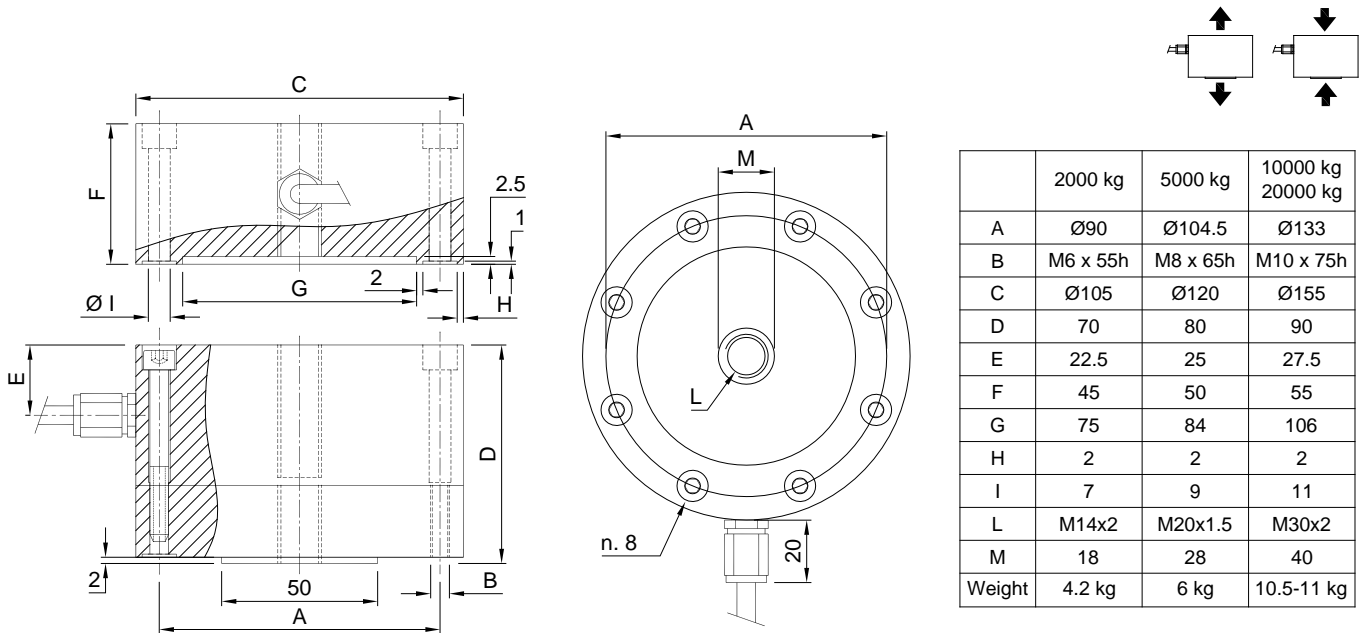
CERTIFICATIONS

CERTIFICATIONS ON REQUEST

	ATEX II 1GD (zone 0-1-2-20-21-22)
	IECEx II 1GD (zone 0-1-2-20-21-22)
	Complies with the Eurasian Custom Union regulations (Russia, Belarus, Kazakhstan)

Rev. 00 del 12/03/2015

DIMENSIONS (mm)

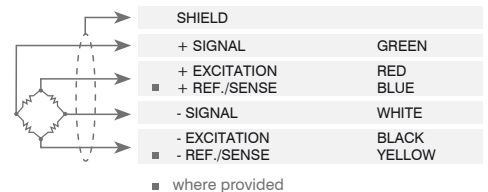


TECHNICAL FEATURES

Material	Special steel		
Nominal load (E max)	2000 - 5000 kg		10000 - 20000 kg
Combined error	≤ ±0.05%		≤ ±0.1%
Protection class	IP67		
Rated output	2 mV/V ±0.3%	Input resistance	352 Ω ±3
Temperature effect on zero	0.002% °C	Output resistance	400 Ω ±20
Temperature effect on span	0.002% °C	Zero balance	±1%
Compensated temperature range	-10 °C / +50 °C	Insulation resistance	>5000 MΩ
Operating temperature range	-30 °C / +70 °C	Safe overload (% of full scale)	150%
Creep at nominal load in 30 minutes	0.03%	Ultimate overload (% of full scale)	200%
Max supply voltage without damage	15 V	Deflection at nominal load	0.3 mm

ELECTRICAL CONNECTIONS

Cable length	12 m
Cable diameter	6 mm
Cores	4/6 x 0.24 mm ²



The Company reserves the right to make changes to the technical data, drawings and images without notice.