

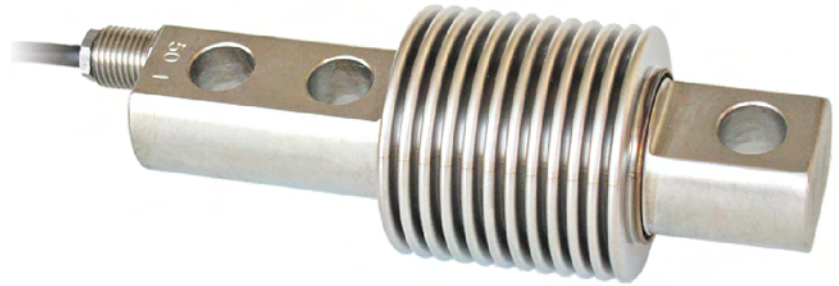
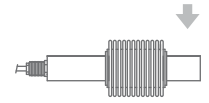
# FCAL

## BENDING BEAM LOAD CELLS

LAUMAS®  
ELETTRONICA

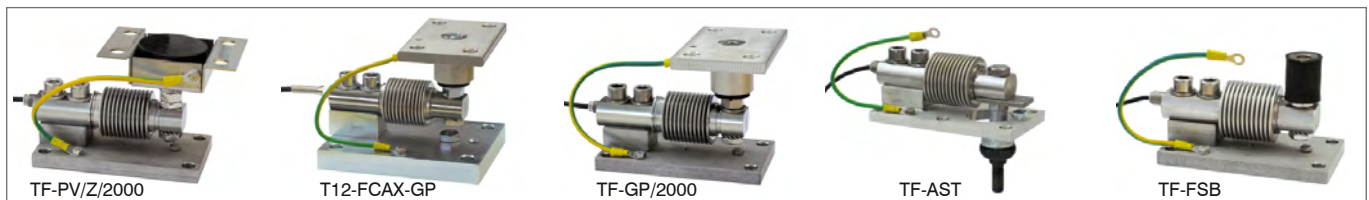


Capacity from 50 kg to 300 kg



- 17-4 PH STAINLESS STEEL
- COMBINED ERROR  $\leq \pm 0.017\%$
- PROTECTION CLASS IP68

### MOUNTING KITS



CAPACITY	kg	ACCURACY CLASS	OIML	IECEx	Ex	EAC	NET WEIGHT OF LOAD CELL (kg)	CODE
50		C3	•	•	•	•	0.5	FCAL50
75		C3	•	•	•	•	0.5	FCAL75
150		C3	•	•	•	•	0.5	FCAL150
300		C3	•	•	•	•	0.5	FCAL300

ON REQUEST

### CERTIFICATIONS

OIML R60 C3

#### CERTIFICATIONS ON REQUEST

ATEX II 1GD (zone 0-1-2-20-21-22)

IECEx II 1GD (zone 0-1-2-20-21-22)

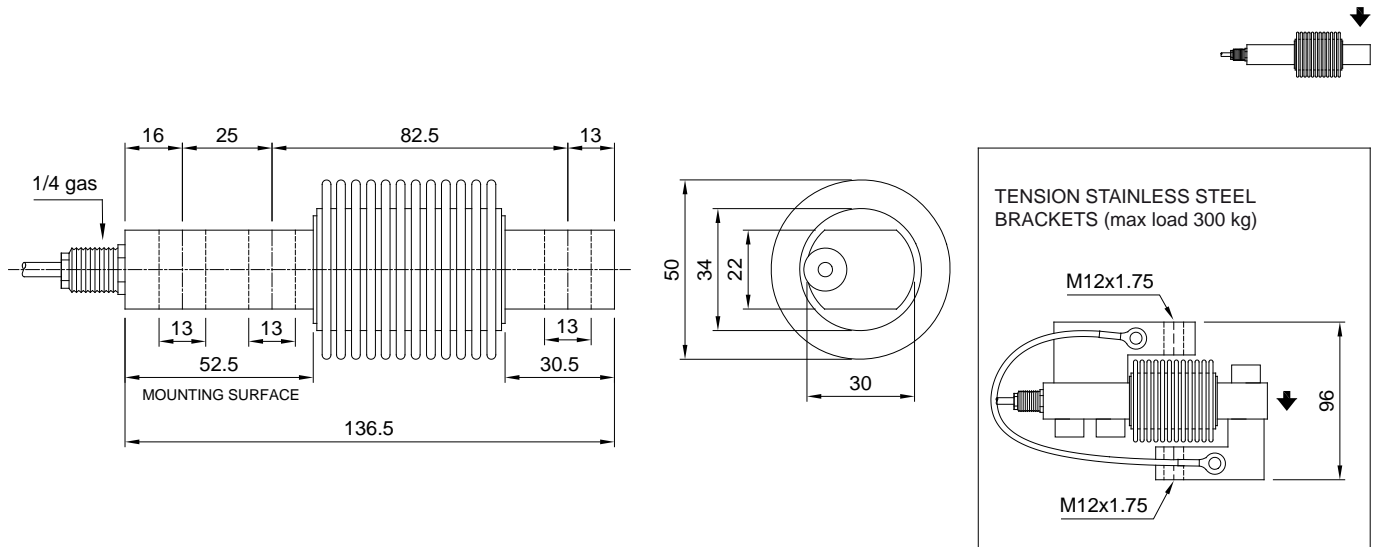
Complies with the Eurasian Custom Union regulations (Russia, Belarus, Kazakhstan)

### COMPLEMENTARY ACCESSORIES

DESCRIPTION	CODE
<p>Pair of tension stainless steel brackets. Maximum static load: 300 kg</p>	STAFFEFCA

Rev. 00 del 12/03/2015

### DIMENSIONS (mm)



### TECHNICAL FEATURES

Material	17-4 PH stainless steel		
OIML R60 Accuracy class • Verification intervals	C3 • 3000		
Nominal load (E max)	50 - 75 - 150 - 300 kg		
Minimum verification interval (V min)	E max / 10000		
Combined error	≤ ±0.017%		
Protection class	IP68		
Rated output	2.0 mV/V ±0.1%	Input resistance	400 Ω ±20
Temperature effect on zero	0.002% °C	Output resistance	350 Ω ±3
Temperature effect on span	0.0012% °C	Zero balance	±2%
Compensated temperature range	-10 °C / +40 °C	Insulation resistance	>5000 MΩ
Operating temperature range	-20 °C / +50 °C	Safe overload (% of full scale)	200%
Creep at nominal load in 30 minutes	0.016%	Ultimate overload (% of full scale)	200%
Max supply voltage without damage	15 V	Deflection at nominal load	0.4 mm

### ELECTRICAL CONNECTIONS

Cable length	3 m
Cable diameter	4 mm
Cores	4 x 0.22 mm <sup>2</sup>

