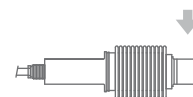




Manufactured according to OIML R60 standards



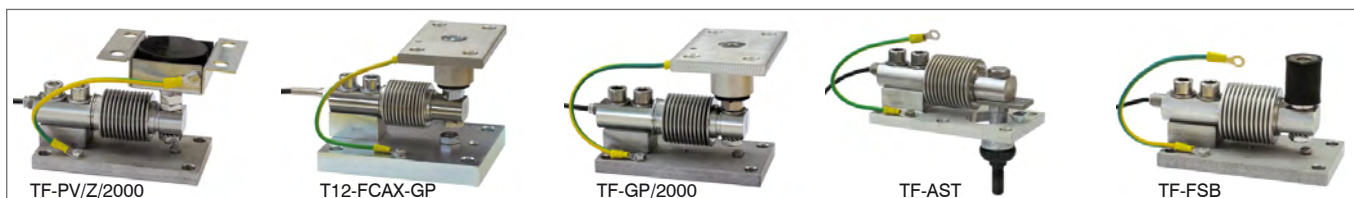
BENDING BEAM: capacity from 30 kg to 500 kg

SHEAR BEAM: capacity from 750 kg to 1500 kg

- AISI 420 STAINLESS STEEL
- COMBINED ERROR $\leq \pm 0.02\%$
- PROTECTION CLASS IP68



MOUNTING KITS



CAPACITY	kg	IECEx	Ex	EAC	NET WEIGHT OF LOAD CELL (kg)	CODE
30		•	•	•	0.6	FCAX30
50		•	•	•	0.6	FCAX50
75		•	•	•	0.6	FCAX75
150		•	•	•	0.6	FCAX150
300		•	•	•	0.7	FCAX300
500		•	•	•	0.7	FCAX500
750		•	•	•	0.7	FCAX750
1000		•	•	•	0.7	FCAX1000
1500		•	•	•	0.7	FCAX1500

ON REQUEST

CERTIFICATIONS

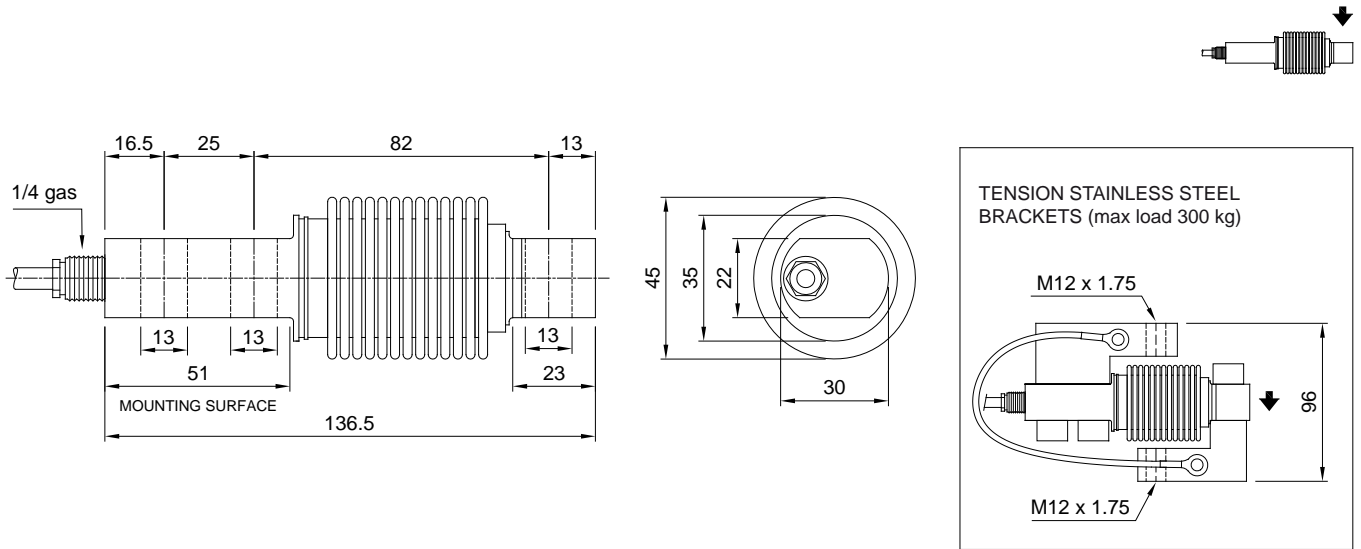
CERTIFICATIONS ON REQUEST

	ATEX II 1GD (zone 0-1-2-20-21-22)
	IECEx II 1GD (zone 0-1-2-20-21-22)
	Complies with the Eurasian Custom Union regulations (Russia, Belarus, Kazakhstan)

COMPLEMENTARY ACCESSORIES

DESCRIPTION	CODE
<p>Pair of tension stainless steel brackets. Maximum static load: 300 kg</p>	STAFFEFCA

DIMENSIONS (mm)



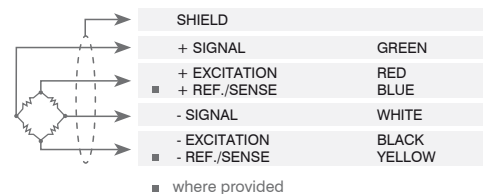
TECHNICAL FEATURES

Material	AISI 420 stainless steel		
Nominal load (E max)	30 - 50 - 75 - 150 - 300 - 500 - 750 - 1000 - 1500 kg		
Combined error	≤ ±0.02%		
Protection class	IP68		
Rated output	2 mV/V ±0.4%	Input resistance	350 Ω ±5 *
Temperature effect on zero	0.002% °C	Output resistance	350 Ω ±5
Temperature effect on span	0.002% °C	Zero balance	±1%
Compensated temperature range	-10 °C / +40 °C	Insulation resistance	>5000 MΩ
Operating temperature range	-20 °C / +50 °C	Safe overload (% of full scale)	150%
Creep at nominal load in 30 minutes	0.02%	Ultimate overload (% of full scale)	300%
Max supply voltage without damage	15 V	Deflection at nominal load	0.4 mm

* Input resistance for 30, 50, 75, 150, 300 kg capacities: 400 Ω ±20

ELECTRICAL CONNECTIONS

Cable length	5 m
Cable diameter	5 mm
Cores	4/6 x 0.22 mm ²



The Company reserves the right to make changes to the technical data, drawings and images without notice.