

OP-P2H200 2 Head 20L Linear Weigher

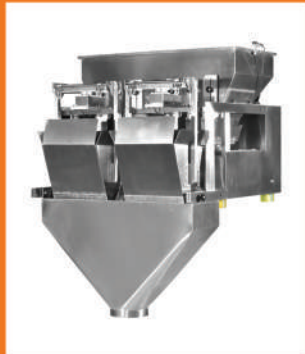


OVERVIEW

The OP-P2H200 series dual head 20L weighing machine is with 2 head version, equipped 20L weigh hopper for big weight range from 1kg to 20kg per head, coarse and fine feeder design for high speed and accuracy. This dual head linear weighers are ideal for accurately weighing and packaging regular shaped dried foodstuffs such as tea, sugar, coffee powder or beans, seeds, nuts, rice, pasta, milk powders, spices and confectionery etc.

This Controlled by a user-friendly colour touch screen, this compact linear weigh & filling system is ideal for repetitive weighing and filling processes without the need for compressed air. Engineered for efficiency, safety, and food hygiene.

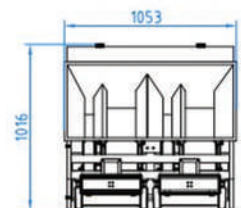
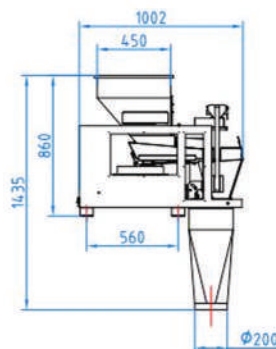
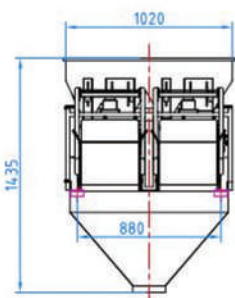
We have released our new generation 'plug to run' operation control weigher. In this case, the weigher will auto study the material feeding amount according to the material feeding thickness and vibration to get exact weight. When we run the weigher, just press auto-study for about 2min, the weigher will get good accuracy and speed. For the same material, just change the weight on the screen, all is done, the weigher will run automatically.



APPLICATIONS

General weighing / filling granules, rice, salt, sugar, snack foods, pet foods, dried foods, nuts and pulses, Potato Chips, tea and coffee nuts, food additives, dried fruit, grains, sesame, fertilizer, feed, fodder, etc.

DIMENSIONS



OPTIMA

KEY FEATURES

- Full 304SUS building material;
- Compact design with small footprint;
- Tool-free install, dismantle and clean;
- Auto learning model for easy-fool operation;
- Coarse and fine feeding material control;
- New generation PLUG-TO-RUN run mode;
- High speed MCU + Touch screen control system;
- Free parameter adjusting during running;
- Self R&D interchangeable main PCB board control;
- Up to 10 product recipes preset;

OPTIONS AVAILABLE

- In-feed bulk material conveyor
- Front protection glass enclosure
- Support gantry/stand
- Various size dump chute outlet
- Enlarge size in-feed bunker
- 316SUS food contacting parts

TECHNICAL SPECIFICATIONS

MODEL	OP-P2H200
Heads No.	2
Weighing Range	500-10kg per head
Accuracy	5-8g
Max. Speed	5-10PPM
Weigh Hopper Capacity	20L
In-feed Loading Hopper	140L
Control System	MCU + Touch Screen
Preset Recipes	10
Max. Products	2
Power Supply	AC220V ±10% 50Hz, 1Phase

REFERENCE PHOTOS

