

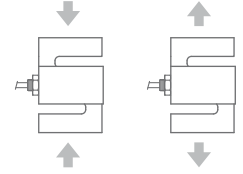
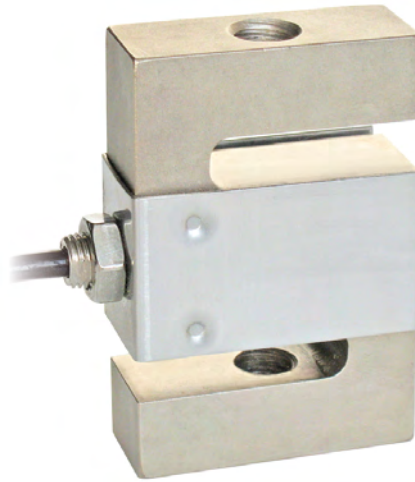
SL

TENSION (COMPRESSION) LOAD CELLS

LAUMAS®
ELETTRONICA



Capacity from 25 kg to 2500 kg



- SPECIAL STEEL
- COMBINED ERROR $\leq \pm 0.02\%$ (0.017% C4)
- PROTECTION CLASS IP67

CAPACITY	kg	ACCURACY CLASS		OIML	IECEx	Ex	EAC	NET WEIGHT OF LOAD CELL (kg)	CODE
25		–	–			•	•	0.4	SL25
100		C3	C4			•	•	0.6	SL100
200		C3	C4			•	•	0.6	SL200
300		C3	C4			•	•	0.6	SL300
500		C3	C4			•	•	0.7	SL500
1000		C3	C4			•	•	0.9	SL1000
2500		C3	C4			•	•	1.6	SL2500

ON REQUEST

CERTIFICATIONS

OIML R60 C3 (see capacities table)

CERTIFICATIONS ON REQUEST

ATEX II 1GD (zone 0-1-2-20-21-22)

IECEx II 1GD (zone 0-1-2-20-21-22)

OIML R60 C4 (see capacities table)

Complies with the Eurasian Custom Union regulations (Russia, Belarus, Kazakhstan)

COMPLEMENTARY ACCESSORIES



DESCRIPTION

Special steel ball-and-socket joint with nut

Dimensions:

M8x1.25

M10x1.5

M12x1.75

M20x1.5

Load cell capacity:

25 kg

100 kg

200-1000 kg

2500 kg

CODE

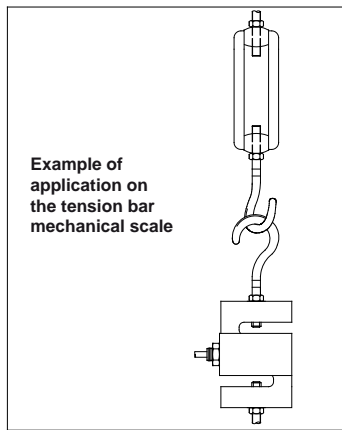
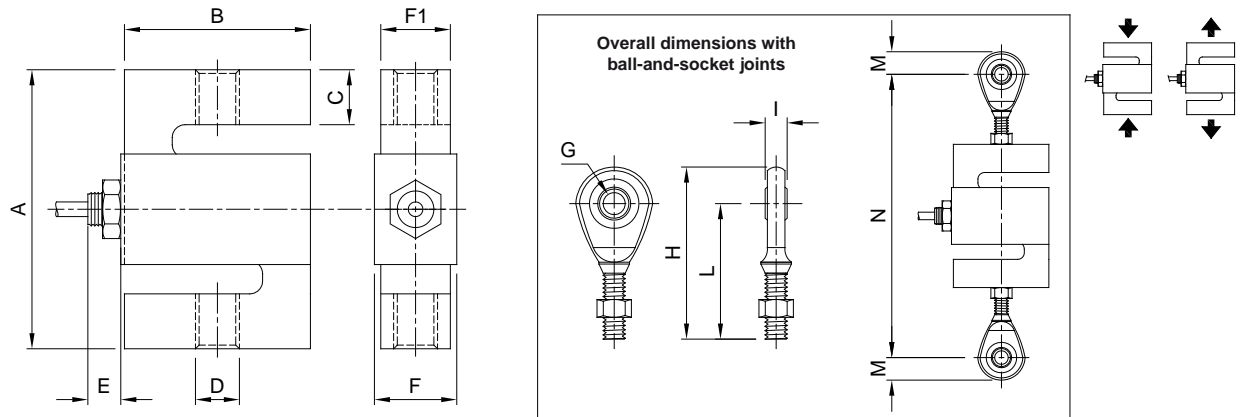
EM8DADO

EM10DADO

EM12DADO

EM20DADO

DIMENSIONS (mm)



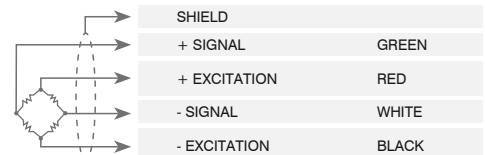
	25 kg	100 kg	200 kg (a)	300 kg (b)	500 kg (c)	1000 kg	2500 kg
A	76.2	76.2	76.2			76.2	101.5
B	50.8	50.8	50.8			50.8	76.2
C	15.5	15.5	15(a)	14(b)	13.5(c)	13.5	20
D	M8x1.25	M10x1.5	M12x1.75			M12x1.75	M20x1.5
E	11	10	10			10	7
F	16.2	22.5	22.5			29	29
F1	13	19	19			25.4	25.4
G	Ø8	Ø10	Ø12			Ø12	Ø20
H	54	62	72			72	105
I	8	9	10			10	16
L	43	48.5	55			55	80
M	11.5	14.5	17			17	25
N	131	142	156(a)	158(b)	159(c)	161	221.5

TECHNICAL FEATURES

Material	Special steel		
OIML R60 Accuracy class • Verification intervals	–	C3 • 3000	C4 • 4000
Nominal load (E max)	25 kg	100 - 200 - 300 kg 500 - 1000 - 2500 kg	100 - 200 - 300 kg 500 - 1000 - 2500 kg
Minimum verification interval (V min)	–	E max / 10000 E max / 15000	E max / 20000
Combined error	≤ ±0.02%	≤ ±0.02%	≤ ±0.017%
Protection class	IP67		
Rated output	2 mV/V ±0.2%	Input resistance	350 Ω ±3.5
Temperature effect on zero	0.0015% °C	Output resistance	350 Ω ±3.5
Temperature effect on span	0.0017% °C	Zero balance	±1%
Compensated temperature range	-10 °C / +40 °C	Insulation resistance	≥5000 MΩ
Operating temperature range	-35 °C / +65 °C	Safe overload (% of full scale)	150%
Creep at nominal load after 4 hours	0.03%	Ultimate overload (% of full scale)	300%
Max supply voltage without damage	18 V	Deflection at nominal load	0.4 mm

ELECTRICAL CONNECTIONS

Cable length	5 m (25 - 300 kg) 10 m (500 - 2500 kg)
Cable diameter	5 mm
Cores	4 x 0.24 mm ²



The Company reserves the right to make changes to the technical data, drawings and images without notice.