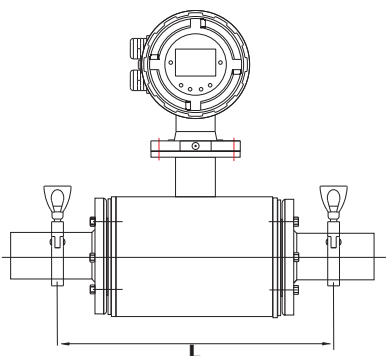


Sanitary Magnetic Flow Meter

Description

The sanitary magnetic flow meter is specifically designed for measurement of food liquids like milk, cream, juice of various fruits, pharma liquids etc. It is available with compact or remote version of transmitter can be installed either horizontally or vertically with a variety of optional end-fittings to meet your requirements.



Length

DN10-DN20: L=200mm
DN32-DN100: L=300mm



Model	Suffix Code									Description
LDGS-	①	②	③	④	⑤	-⑥	⑦	⑧	⑨	Sanitary Magnetic Flowmeter
Diameter	XXXX									Stand for diameter 0010: DN10 0100: DN100
Structure	S									Compact Type with local display
	L									Remote Type; 10 meters cable default
Electrode Material		M								SS316L
		T								Titanium
		D								Tantalum
		H								Hastelloy Alloy C
		P								Platinum-Iridium
Signal Output			0							No Output
			1							4-20mA / Pulse
Liner Material				F						PTFE
				A						PFA
Power Supply						-0				110-240Vac
						-1				24V DC (20-36V DC)
						-2				Battery Power Supply
Communication							0			No Communication
							1			Modbus RS485
							2			HART
							3			GPRS
							4			Profibus DP
Sensor Grounding								0		No Grounding
								1		Grounding Ring
								2		Grounding Electrode
Body Material									S4	Stainless Steel 304