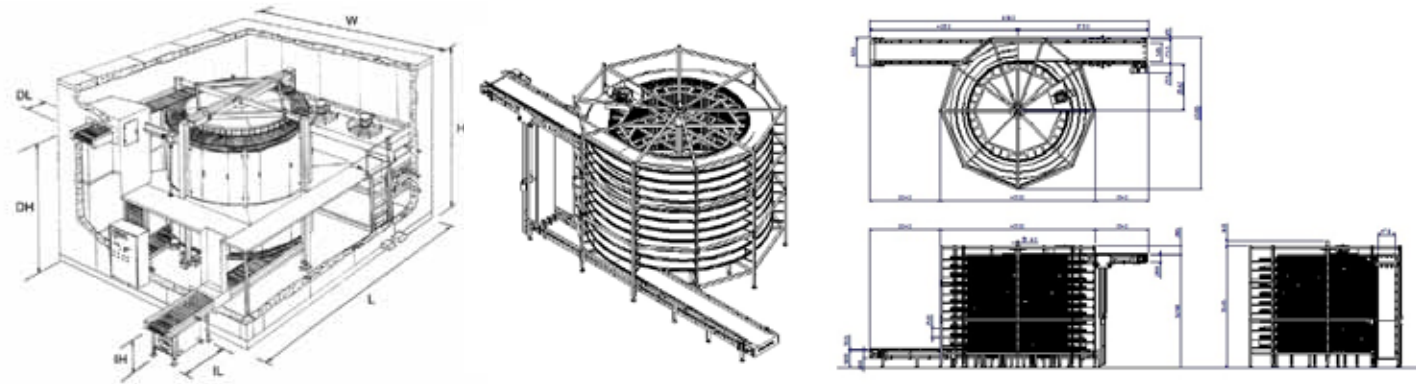


Spiral Conveyor Data Sheet



		MODEL				
		SP-250-8-150	SP-300-8-200	SP-400-10-200	SP-500-12-250	SP-600-12-250
Spiral Data	Belt Type	Plastic	Plastic	Plastic	Plastic	Plastic
	Belt Width (mm)	248	298	413	513	612
	No Of Turn	8	8	10	12	12
	Pitch (mm)	150	200	200	250	250
	Total Belt Length (M)	49	60	106	166	186
	Total Working Belt Length (M)	33	40	68	102	121
	Effective Belt Width (mm)	213	258	363	463	562
	Dwell Time (min)	Standard 5-45 min (As Required - Optional)				
	Infeed & Out Feed Length (mm) IL & DL	1000	1500	2000	3000	3000
	Product Infeed Height (mm) IH	500	500	500	500	500
	Product Discharge Height (mm) DH	1700	2100	2500	3260	3500
	Ground Clearance (mm)	200	200	200	200	200
	Top Clearance Height (mm)	200	200	300	300	300
	Drum Drive (Kw)	1.1	1.1	1.5	2.2	3
	End Drive (Kw)	0.55	0.55	0.75	0.75	1.1
Product Allowable size	Max Length	203	248	353	453	552
	Max Width	203	248	353	453	552
	Max Height	100	150	150	200	200
Insulation Encloser Data (External Dimensions)	Length (mm) L	3200	4300	5550	7750	7950
	Width (mm) W	2000	2450	3150	3750	4350
	Height (mm) H	22000	2600	3000	3750	4000
	Door Size (mm)					
Refrigeration Data	Standard Design					
	Base Load (Kw)					
	Base Load (Kcal/Hr)					
	Suction Temp At Evaporator	- 40 ° C	- 40 ° C	- 40 ° C	- 40 ° C	- 40 ° C
	Air Temperature	- 35 ° C	- 35 ° C	- 35 ° C	- 35 ° C	- 35 ° C
Defrosting System	Defrosting media	Hot gas or potable water				
	Water consumption (L/min) (at 3 bar, min 1 bar)	150				
	Minimum water temp. (°C)	+ 15 ° C				
Electrical Data	Normal Power Consumption (Kw)					
	Max Power Requirement (kw)					
	Voltage (V)	3 phase x 415 V, 50 Hz				
	CIP System (Optional)	Potable Water +60 Degree C				
Shipping Dimension	Cleanig Media - 1	Any Compitible washing / cleaning media				
	Cleanig Media - 2	Any Compitible washing / cleaning media				
	Length					
	Width					
	Height					

We Convert Your Ideas & Process in to Machine



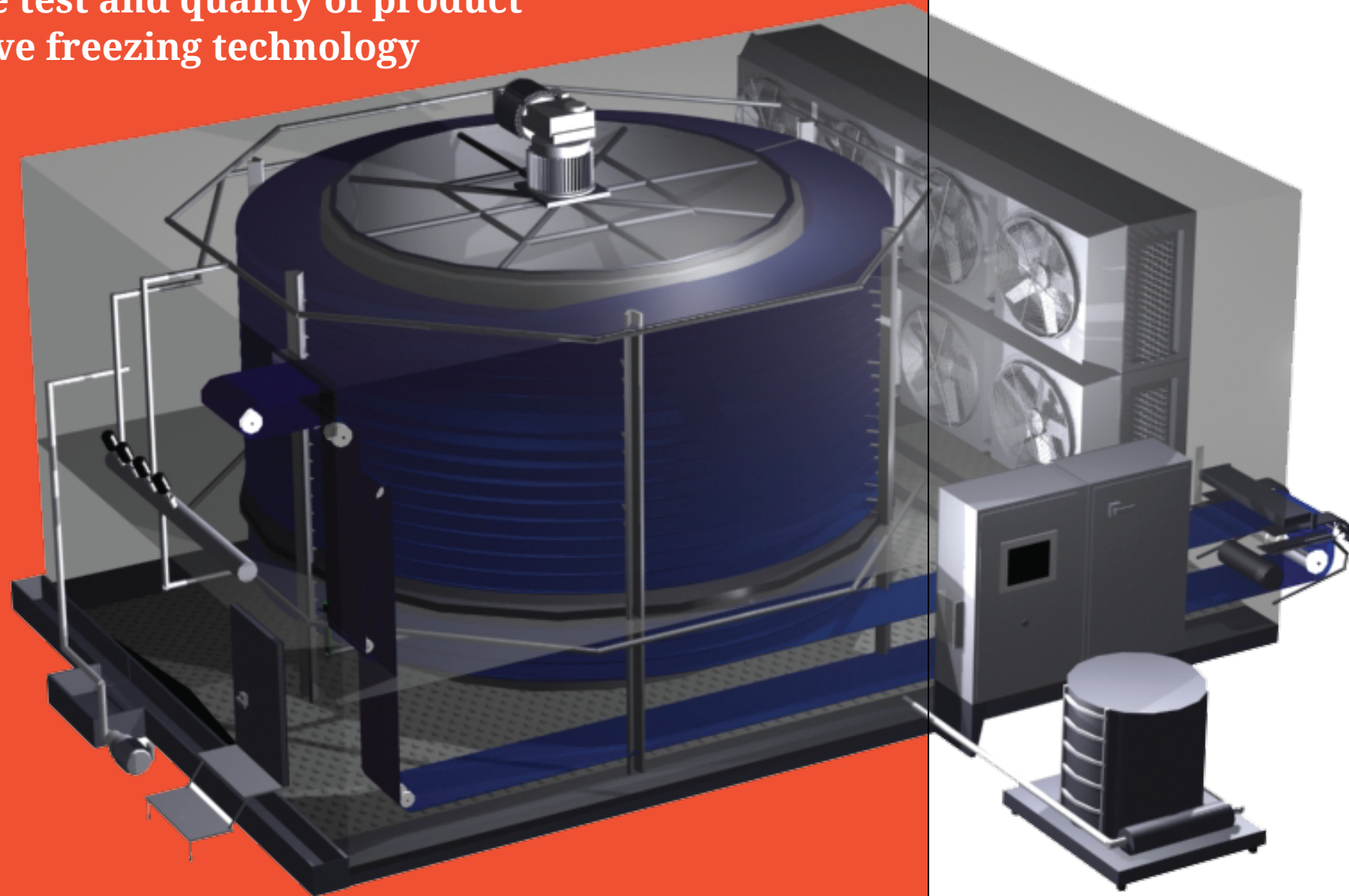
SHRIJALA CONVEYORS PRIVATE LIMITED

120/A, 1st Floor, GIDC, Makarpura, Vadodara 390010, Gujarat, INDIA

+91 265.263.0333 | +91 989.857.4209 | shrijala_eng@yahoo.com | www.shrijalaengineers.com



we preserve test and quality of product
by innovative freezing technology



SHRIJALA spiral freezing Technologies through innovative solutions in industrial freezing and chilling closely oriented to the stringent requirements of its customers: Cost-efficient, long-life, energy-efficient and customized.

We experts. in frozen food applications ensure that the best solution for your product. Our spiral freezers and chillers are designed for hygiene, high- efficiency and reliability. We guarantee quality and safe products throughout your entire freezing or chilling process.

Benefits...

- Continuous inline food freezing
- Gentle, smooth handling of product
- Factory assembled and tested
- Stainless steel constructed
- Easy access to sanitation and maintenance
- Tailor made Solutions
- Cost Effective
- Energy Saving Great Flexibility
- Standard Solutions
- Minimum Defrosting Requirements
- Longer Production Hours
- Small foot prints, Saving in processing floor space

Application

Backery & Pasrty

Brad, Daugh Bolls, Cakes, Muffins, Sponges, Desserts, Pankakes, Pizzas, Pizzas base, Pastries, Samosa, Spring Rolles & Fried Products

Containers, Pots & Ready Meals

Boxes or cartons, Ice Cream Tub, Food In pots, Food in tray-ready meal, liquid in pots, sauce, soup, Pouches

Dairy Products & Ice Creams

Cheese cube, Cream or yogurt in pot or container, Ice lollies or ice cream in pots or containers, ice cream in large containers

Fruits

Chunks or cubes, slices or wedges, fruits in pots or containers, large fruits

Meat

Burgers & Patties, Boxed meat, cutlets, meat logs, sausages, sliced

Poultry

Nuggets, Burgers or patties, diced or cubed, fillets, poultry in boxes, whole poultry

Sauce & Liquids

Sauce & juice in pots or containers

Sea Food

Fish, packed sea food

Vegetables

Cut vegetables in containers, large vegetables piece

Wheat & Grain Products

Pasta in containers, any food in containers



Advantages:

Sanitary /Hygiene

All components are easily accessible. Internal staircase for easy and safe access. Easily Cleanable self draining design with stainless steel floor construction. Continuous belt washing and complete CIP options are available.

Easy, short installation

Compact spirals are fully prefabricated and tested prior to shipping Large size spirals are site assembled with easy bolting systems.

Flexibility

Manufactured in a variety of sizes ranging from small to very large units with single or double drum configurations. Down or Up spiral systems with plastic belting material with widths ranging from 248 to 612mm.

Drum Drives

Our Innovative Direct Drum Drive and take-up drives are electronically synchronized to allow for precise and adaptive belt overdrive control reducing wear and maintenance cost.

