

AS

SINGLE-POINT LOAD CELL for platforms 200x200 mm

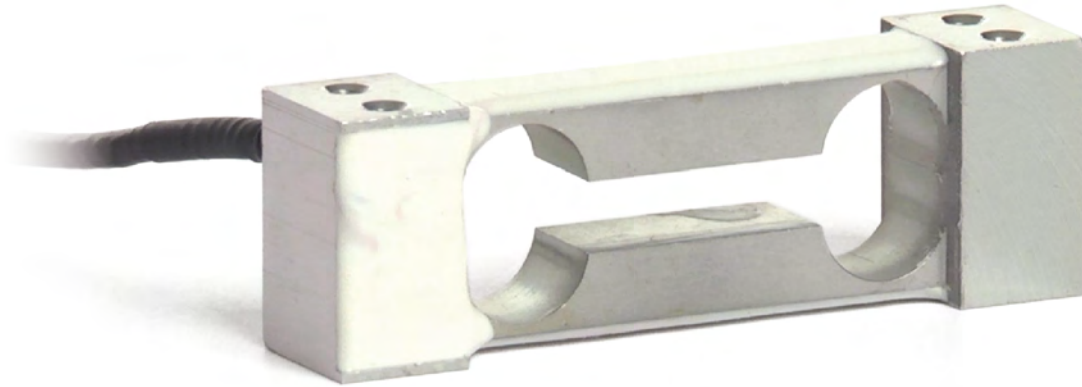
LAUMAS®
ELETTRONICA



Manufactured according to OIML R60 standards



Capacity from 0.25 kg to 1 kg



- ALLOY ALUMINUM
- COMBINED ERROR $\leq \pm 0.03\%$
- PROTECTION CLASS IP65

CAPACITY	kg	IECEx	Ex	EAC	PLATFORM DIMENSION (mm)	NET WEIGHT OF LOAD CELL (kg)	CODE
0.25		•	•	•	200 x 200	0.1	AS025
0.5		•	•	•	200 x 200	0.1	AS05
1		•	•	•	200 x 200	0.1	AS1

ON REQUEST

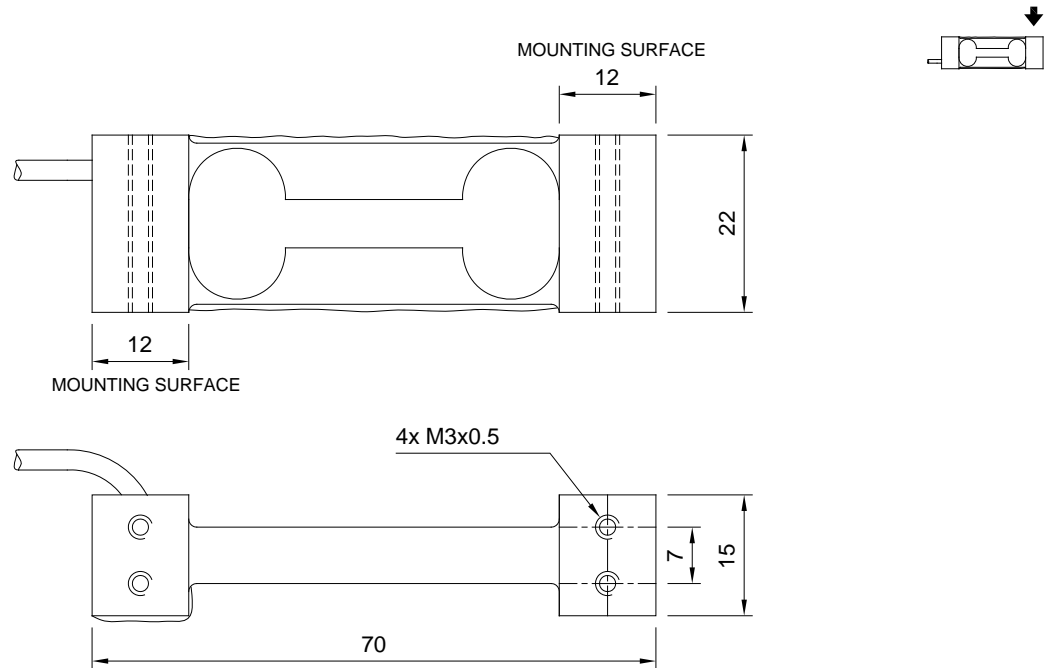
CERTIFICATIONS

CERTIFICATIONS ON REQUEST

	ATEX II 1GD (zone 0-1-2-20-21-22)
	IECEx II 1GD (zone 0-1-2-20-21-22)
	Complies with the Eurasian Custom Union regulations (Russia, Belarus, Kazakhstan)

Rev. 00 del 12/03/2015

DIMENSIONS (mm)



TECHNICAL FEATURES

Material	Alloy aluminum		
Nominal load (E max)	0.25 - 0.50 - 1.00 kg		
Combined error	≤ ±0.03%		
Protection class	IP65		
Rated output	1 - 2 mV/V ±15%	Input resistance	410 Ω ±10
Temperature effect on zero	0.0025% °C	Output resistance	350 Ω ±3
Temperature effect on span	0.0025% °C	Zero balance	±2%
Compensated temperature range	-10 °C / +40 °C	Insulation resistance	>2000 MΩ
Operating temperature range	-20 °C / +60 °C	Safe overload (% of full scale)	120%
Creep at nominal load in 30 minutes	0.03%	Ultimate overload (% of full scale)	200%
Max supply voltage without damage	15 V	Deflection at nominal load	0.5 mm

ELECTRICAL CONNECTIONS

Cable length	3 m
Cable diameter	2.5 mm
Cores	4/6 x 0.20 mm ²

