

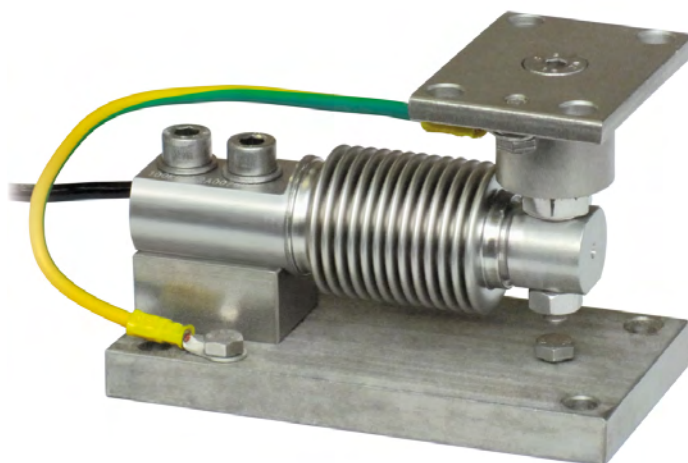
TFC-GP

MOUNTING KIT for BENDING BEAM load cells

LAUMAS®
ELETTRONICA

Series load cells: FCK - FCOL

Application range from 5 to 500 kg



MAX STATIC LOAD kg	FOR LOAD CELLS	NET WEIGHT OF MOUNTING KIT (kg)	CODE
500	FCK - FCOL	1.3	TFCGP

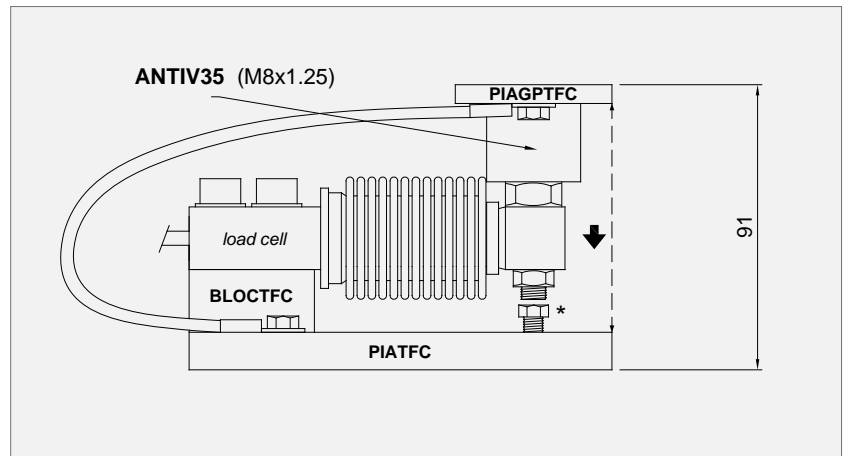
Load cell not included.

DESCRIPTION

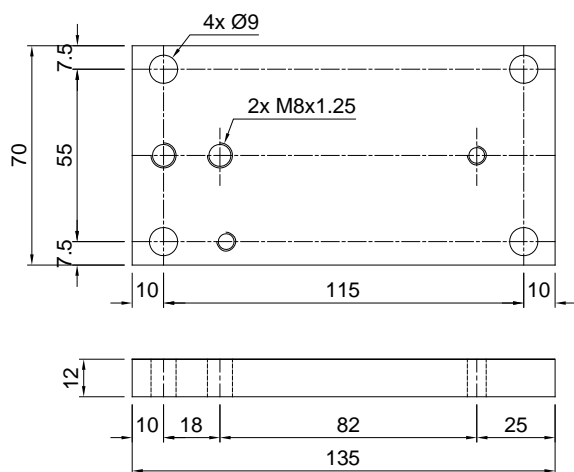
- Upper plate with a compression joint in AISI 304 stainless steel and rubber.
- Lower plate and block in AISI 304 stainless steel.
- Misalignment compensation of the support plates structure.
- Adjustable height.
- Locking screw to avoid damage during transport and installation.

DIMENSIONS AND TECHNICAL SPECIFICATIONS

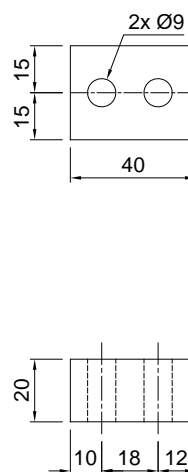
- During the transport and installation the lock (*) must touch under the load cell. After installation, move the lock away from the load cell.
- Interconnect the lower plates to the earthing.
- In case of structure with four-point support, if one-point does not touch the compression joint, you must proceed to insert a shim before fixing the bolts.



PIATFC



BLOCTFC



PIAGPTFC

